



www.regency-fire.com

WarmHearth Fireplace

Owners &
Installation Manual



Regency WarmHearth High Efficiency EPA Certified Fireplace MODEL: Z2510L

Tested by:



Installer: Please complete the details on the back cover
and leave this manual with the homeowner.
Homeowner: Please keep these instructions for future reference.

Thank-you for purchasing a
REGENCY FIREPLACE PRODUCT.

The pride of workmanship that goes into each of our products will give you years of trouble-free enjoyment. This product has been certified by the Environmental Protection Agency of the United States. This means that it meets the strictest standards in providing you with the latest in clean burning technology and efficiency. Specifications may vary widely. Consult with your **Regency Dealer** for local considerations.

Keep those **REGENCY FIRES** burning.



We recommend that our products be installed and serviced by professionals who are certified in the U.S. by NFI (National Fireplace Institute) or in Canada by WETT (Wood Energy Technical Training).



www.nficertified.org

TABLE OF CONTENTS

	Page		Page
Safety Label		Finishing the WarmHearth	
Safety Label	4	Completing the Facing	17
Installation		Non-Self Supporting, Thin Veneer Facades Installations	17
Parts, Product Details and Options	5	Masonry Kit Installation (Optional)	17
Before You Install the Regency WarmHearth	6	Finishing Details	18
Dimensions and Specifications	6	Completing the Mantle	18
Clearances and Height Requirements	7	Masonry Liner/Bricks (Optional)	19
Fireplace Enclosure Framing	7	Louvers	19
Framing Details Diagram	8	Glass Installation	19
Location of Fireplace	8	Door Handle	19
Hearth Extension	8	Latch Adjustment	19
Chimney Considerations	9	Secondary Air Tube Installation	19
Chimney Height	9	Operating Instructions	
Chase Enclosure	9	Draft Control	19
Installation Components Diagram	10	First Fire	19
Assembly Steps	10	Safety Guidelines	20
Installing the Stand-offs	10	Maintenance	
Set the WarmHearth into Position	11	Gold Plated Doors and Louvers	20
Installing the Chimney System	11	Door Gasket	20
Required Firestop, Radiation Shield, or Attic Insulation Shield (Table 1)	12	Door Hinges	20
Minimum Recommended Flue Height (Table 2)	12	Glass Cleaning	20
Offset Chimney Installation	12	Glass Removal/Replacement	20
Installing the Outside Air Kit	13	Parts List	21
Wiring the WarmHearth	13	Warranty	
Installing the Blower Systems	13	Warranty	23
Fan Part Numbers	13		
1) Internal Blower with Thermodisc	14		
2) External Blower with Thermodisc	14		
3) Internal & External Blower with Thermodisc	14		
Gravity Air Feed Option	14		
Installing Your Central Heating System	15		
Materials Required	15		
Installation	15		



SAFETY LABEL

This is a copy of the label that accompanies each Regency WarmHearth. It is located inside the lower louver opening on the left side. We

have printed a copy of the contents here for your review.

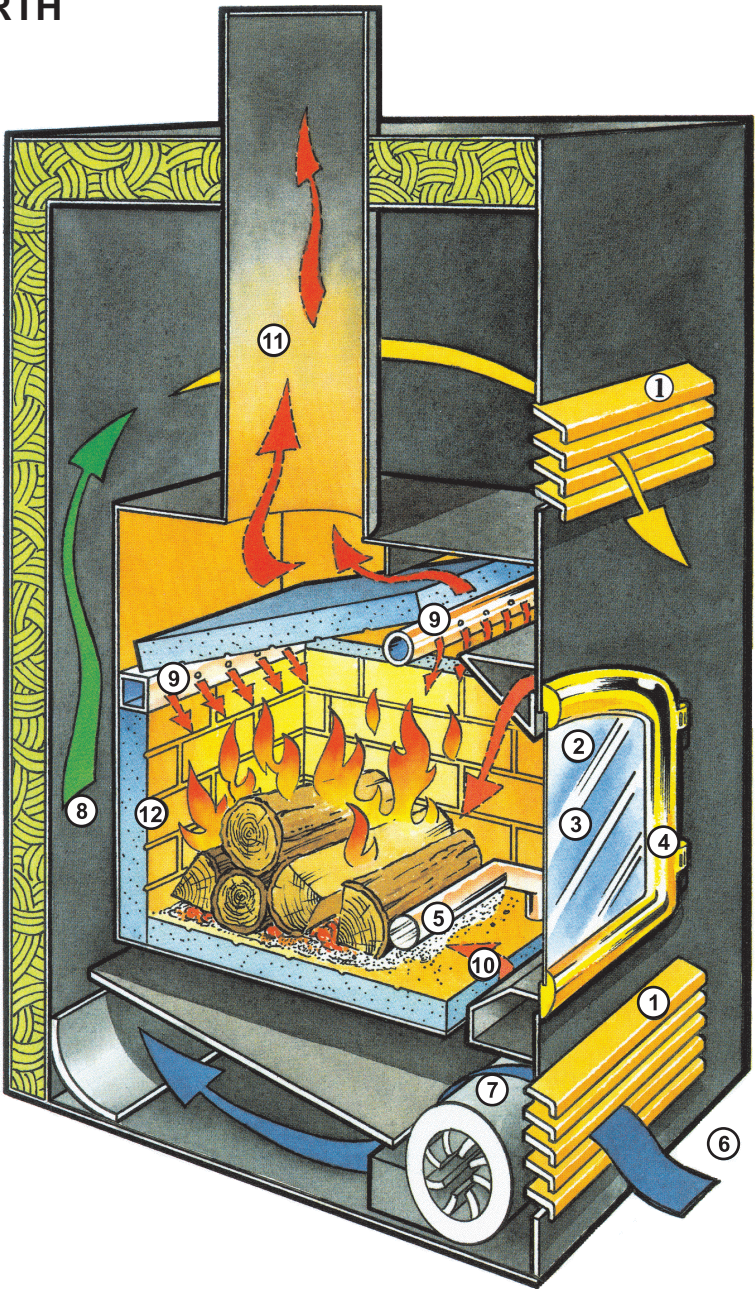
NOTE: Regency units are constantly being improved. Check the label on the unit and if there is a difference, the label on the unit is the correct one.

Copy of Safety Label for Z2510L

	<p>LISTED FACTORY BUILT FIREPLACE REGENCY WARM HEARTH MODEL: Z2510L TESTED TO: UL-127/ULC-S610/ULC S627 REPORT No. 5971</p>	<p>DO NOT REMOVE THIS LABEL</p> <div style="border: 1px solid black; padding: 5px; text-align: center; font-size: 24pt; font-weight: bold;">109</div> <p style="text-align: center;">Serial Number</p>																																								
<p>Install and use only in accordance with the manufacturer's installation and operating instructions. Do not obstruct combustion air inlet.</p>																																										
<p>MINIMUM CLEARANCES TO COMBUSTIBLE MATERIALS</p> <table style="width: 100%; border-collapse: collapse;"> <tr> <td style="width: 20%;">Side Wall</td> <td style="width: 30%;">15 in. / 380 mm.</td> <td style="width: 50%;">from door opening</td> </tr> <tr> <td>Mantel</td> <td>18 in. / 460 mm.</td> <td>from top of vents</td> </tr> <tr> <td>Mantel Projection</td> <td>10 in. / 265 mm.</td> <td>from face</td> </tr> <tr> <td>Unit Top, Back, Sides and Bottom</td> <td>0 in. / 0 mm.</td> <td>to spacers</td> </tr> <tr> <td rowspan="2">Hearth Extension (000-910)</td> <td>40 in. / 1016 mm.</td> <td>Wide</td> </tr> <tr> <td>20 in. / 508 mm.</td> <td>Depth</td> </tr> </table>	Side Wall	15 in. / 380 mm.	from door opening	Mantel	18 in. / 460 mm.	from top of vents	Mantel Projection	10 in. / 265 mm.	from face	Unit Top, Back, Sides and Bottom	0 in. / 0 mm.	to spacers	Hearth Extension (000-910)	40 in. / 1016 mm.	Wide	20 in. / 508 mm.	Depth	<p>FOR USE WITH SOLID WOOD FUEL ONLY.</p> <p>Operate only with viewing door closed - open only to add fuel. Firebricks must be in place during operation. Combustible materials are not permitted on face of unit.</p>																								
Side Wall	15 in. / 380 mm.	from door opening																																								
Mantel	18 in. / 460 mm.	from top of vents																																								
Mantel Projection	10 in. / 265 mm.	from face																																								
Unit Top, Back, Sides and Bottom	0 in. / 0 mm.	to spacers																																								
Hearth Extension (000-910)	40 in. / 1016 mm.	Wide																																								
	20 in. / 508 mm.	Depth																																								
<p>COMPONENTS REQUIRED FOR INSTALLATION:</p> <ul style="list-style-type: none"> - Combustible floor protector (Hearth Extension Part No. 000-910) is not required when WARM HEARTH is raised 4 in./100 mm. or more above floor. However, combustible floor must be protected by a noncombustible material extending 16 in. /400 mm to the front of the unit and 8 in /200 mm to the sides of the feed door. - Use a 4 in. / 100 mm. diameter flexible duct and combustion air inlet assembly. - Use one of the following 7 in. / 180 mm. diameter or 8 in./200 mm. diameter (with anchor plate adaptor Part No. 000-924) listed chimney systems, complete with components as specified in the installation instructions: Security Chimneys Model ASHT or S2100, Selkirk Metalbestos Model Sentinel or Model SSII, American Metal Products AMERITEC Model HS, Oliver MacLeod ProJet 3103, G.S.W. Heating Products Super Chimney Model SC1 or 2100, G.S.W. Heating Products Model JFC or FC (Must be installed with attic insulation shield GSW -JSC-7-FAIS), ICC Excel 103 HT, ICC Excel 2100, any chimney system that is listed and certified to ULC-S629. 																																										
<p>OPTIONAL COMPONENTS:</p> <p>Central heating blower.: 8" Dia. inlet, a minimum capacity of 433 CFM at a static pressure of 0.75 in. w.c. and the blower is listed in the country where the blower is to be installed. Electrical rating 115V, 60 HZ.</p> <p>Replace glass only with 5 mm. Neoceram glass.</p> <p>Top Venting System Hearth Extension (000-910)</p>																																										
	<p>FPI Fireplace Products International Ltd. Delta, BC, Canada</p>	<p>MANUFACTURED</p>																																								
<table style="width: 100%; border-collapse: collapse;"> <tr> <td style="border: 1px solid black; width: 30px; height: 30px;"></td> <td style="border: 1px solid black; width: 30px; height: 30px;"></td> <td style="border: 1px solid black; width: 30px; height: 30px;"></td> <td style="border: 1px solid black; width: 30px; height: 30px;"></td> <td style="border: 1px solid black; width: 30px; height: 30px;"></td> <td style="border: 1px solid black; width: 30px; height: 30px;"></td> <td style="border: 1px solid black; width: 30px; height: 30px;"></td> <td style="border: 1px solid black; width: 30px; height: 30px;"></td> <td style="border: 1px solid black; width: 30px; height: 30px;"></td> <td style="border: 1px solid black; width: 30px; height: 30px;"></td> <td style="border: 1px solid black; width: 30px; height: 30px;"></td> <td style="border: 1px solid black; width: 30px; height: 30px;"></td> <td style="border: 1px solid black; width: 30px; height: 30px;"></td> <td style="border: 1px solid black; width: 30px; height: 30px;"></td> <td style="border: 1px solid black; width: 30px; height: 30px;"></td> </tr> <tr> <td style="text-align: center;">2003</td> <td style="text-align: center;">2004</td> <td style="text-align: center;">2005</td> <td style="text-align: center;">JAN</td> <td style="text-align: center;">FEB</td> <td style="text-align: center;">MAR</td> <td style="text-align: center;">APR</td> <td style="text-align: center;">MAY</td> <td style="text-align: center;">JUN</td> <td style="text-align: center;">JUL</td> <td style="text-align: center;">AUG</td> <td style="text-align: center;">SEP</td> <td style="text-align: center;">OCT</td> <td style="text-align: center;">NOV</td> <td style="text-align: center;">DEC</td> </tr> </table>																												2003	2004	2005	JAN	FEB	MAR	APR	MAY	JUN	JUL	AUG	SEP	OCT	NOV	DEC
2003	2004	2005	JAN	FEB	MAR	APR	MAY	JUN	JUL	AUG	SEP	OCT	NOV	DEC																												
<p>MADE IN CANADA 908-176 rev. 10/03</p>																																										

THE REGENCY WARMHEARTH

- 1) Optional 24 Karat Gold-plated Louvers
- 2) Clean Glass Air Wash System
- 3) High Safety Ceramic Glass
- 4) Optional 24 Karat Gold-plated Door
- 5) Andirons
- 6) Convection Air Inlet
- 7) Optional 150 CFM 2-speed Blower
- 8) Convection Chamber
- 9) Secondary Air Source
- 10) Primary Air Source
- 11) 7-inch Flue Pipe
- 12) High Heat Refractory Lining



PRODUCT DETAILS

EPA Certified	YES, Phase 2
Emissions	5.2 Gms/Hr.
Efficiency (DEQ)	70.7%
BTU/HR (EPA)	10,600-39,500
Flue Size	7 " diameter or 8" with Adaptor (#000-924)
Log Size	22"
Weight: shipping	715 lbs.
stripped weight:	460 lbs.

OPTIONS

Blower	150 CFM, 2 speed
Central Forced Air Heating System	433 CFM Blower*
Gold Door	24 kt. Gold Plated
Gold Louvers	24 kt. Gold Plated
Masonry Retainer Kit	Part # 000-920

*Not supplied by Regency, see your Regency Dealer or heating contractor.

INSTALLATION

READ BEFORE YOU INSTALL THE REGENCY WARMHEARTH HIGH EFFICIENCY EPA CERTIFIED FIREPLACE

This installation manual will enable you to make a safe, efficient and dependable installation of your fireplace and chimney system. Please read and understand these instructions before beginning your installation.

Do not alter or modify the fireplace or its components under any circumstances. Any modification or alteration of the fireplace system, including but not limited to the fireplace, chimney components and accessories, may void the warranty, listing and approvals of this system and could result in an unsafe and potentially dangerous installation.

PLEASE RETAIN THIS MANUAL FOR FUTURE REFERENCE.

IMPORTANT: Please read and follow these rules for safety.

- 1) Before starting your fireplace installation, read these installation instructions carefully to be sure you understand them in their entirety. Failure to follow them could cause a fireplace malfunction resulting in serious injury and/or property damage.
- 2) Always check your local building codes. The installation must comply with all local, regional and state codes and regulations.
- 3) This model fireplace must be installed with one of the chimney systems listed in the Chimney Section in this manual. These systems are intended for use as a residential type appliance. The chimney must always vent to the outside of the building.
- 4) To ensure a safe fireplace system and to prevent the build-up of soot and creosote, inspect and clean the fireplace and chimney prior to use and periodically during the heating season.
- 5) Use solid fuel only. DO NOT use artificial logs containing petroleum products, chemical chimney cleaners, gas logs, gas lighters, salt contaminated wood or flame colorants in your fireplace. When using compressed sawdust logs use only at 1/3 capacity since these get very hot and expand.
- 6) DO NOT use charcoal or coal under any circumstances.
- 7) NEVER use gasoline, gasoline-type lantern fuel, kerosene, charcoal lighter fluid, or any liquid to start or "freshen up" a fire in this fireplace. Keep any flammable liquid a safe distance from the fireplace.

- 8) NEVER leave children unattended when there is a fire burning in the fireplace.
- 9) Allow the fireplace to cool before servicing. Always shut off any electricity to the fireplace while working on it. This will prevent any possible electrical shock.
- 10) **Regency is not responsible for any smoking or related problems that may result from the lack of adequate combustion air. It is the responsibility of the installer to ensure that adequate combustion air has been provided for the fireplace.**
- 11) Regency Industries Ltd. does not warranty "smoke free" operation nor are we responsible for inadequate system draft caused by mechanical systems, general construction conditions, inadequate chimney heights, adverse wind conditions and/or unusual environmental factors or conditions beyond our control.
- 12) DO NOT use a fireplace insert or any other product not specified by Regency for use with this fireplace.
- 13) Never, under any circumstances, install a fireplace, chimney component or any accessories, supplied by Regency, that have visible or suspected physical damage as a result of handling or transportation. These items should be inspected by a Regency dealer or qualified factory representative to ensure safe condition. When in doubt, consult your Regency dealer.
- 14) It is recommended that power is supplied to the terminal block of the unit to allow for the installation of blower components now or at a future date.

Emissions from burning wood or gas could contain chemicals known to the State of California to cause cancer, birth defects or other reproductive harm.

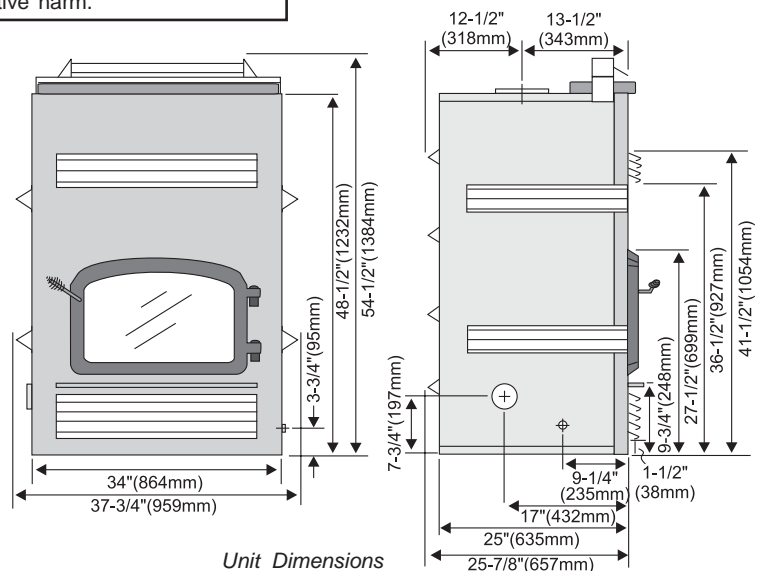
DIMENSIONS AND SPECIFICATIONS

The WarmHearth is a woodburning fireplace featuring a self-contained heat-circulating system and cast-iron door with large viewing window. Options available are a Central Heating System or an Internal Blower. A set of andirons are installed in the firebox to properly position the fire, do not remove them.

Note: Illustrations shown reflect "typical" installations with nominal dimensions and are for design and framing reference only. Actual installations may vary due to individual design preferences. However, always maintain minimum clearances to combustible materials and do not violate any specific installation requirements.

The WarmHearth fireplace has been tested and listed by Warnock Hersey Inc. to UL 127 Standard for U.S. installations and ULC S610 standard for Canadian installations. **This unit is intended for installation in conventional homes and buildings of conventional construction, not in mobile homes.**

This fireplace system is designed for installation in accordance with the National Fire Protection Standard for chimneys, fireplaces and solid fuel burning appliances; NFPA 211 and in accordance with codes such as the BOCA Basic National Codes, the Standard Mechanical Code, Uniform Building Codes, Canadian National Building Codes or applicable local codes.



Unit Dimensions

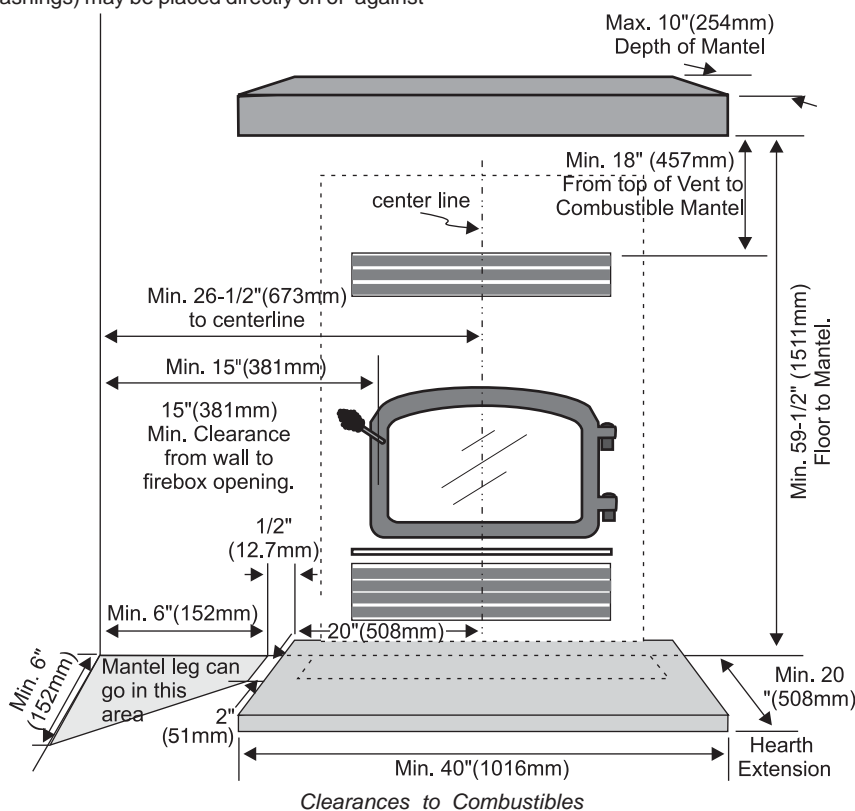
FAILURE TO USE PARTS MANUFACTURED BY REGENCY FIREPLACE INDUSTRIES OR VARIATIONS IN TECHNIQUES AND CONSTRUCTION MATERIAL DESCRIBED IN THIS MANUAL MAY CREATE A FIRE HAZARD AND VOID REGENCY'S WARRANTY.

The WarmHearth main unit consists of the following:

- 1) The main fire box and heat exchanger
- 2) The large door with ceramic glass
- 3) A full brick lining and flue baffle
- 4) The upper and lower louvers
- 5) The insulated outside air duct
- 6) The hearth extension floor protector used for flush mount installations
- 7) Hearth Safety Strip
- 8) The internal blowers system (optional)
- 9) A Furnace Damper Control (optional)
- 10) The Masonry Retainer Kit (Optional)
- 11) Furnace Blower (optional)

CLEARANCES AND HEIGHT REQUIREMENTS

The WarmHearth may be placed on or near construction materials. The combustion air kit, fire stop spacer and roof flashings (not chase flashings) may be placed directly on or against



normal construction materials. The chimney requires a minimum 2 in. (50 mm) clearance. A combustible mantle (to a depth of 10 in.) may be installed no closer than 18 in. (457 mm) above the warm air vent.

The chimney must be enclosed when installed in or passing through a living area where combustible material or people may come in contact with it. This is important to prevent possible personal injury or fire hazard.

For any further information, please call your dealer. Special restrictions apply to the front and facing of the fireplace and nearby walls.

WARNING: If insulation is used, do not place the unit against it. Insulation or vapor barriers, if used, must be secured to assure insulation and vapor barriers remain in place and do not affect the required air spaces.

WARNING: Do not pack or fill required air spaces with insulation or other material. No material of any kind is allowed in these areas.

No Combustibles on Face of Unit

Combustibles May Not Extend to Unit Face

Do not notch wallboard around standoffs

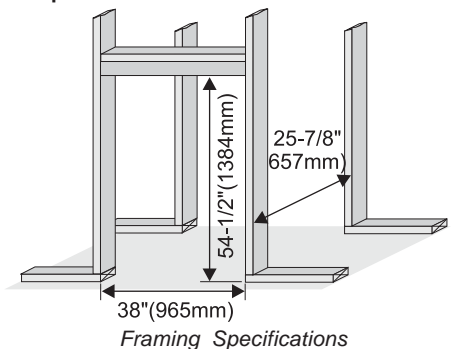
NOTE:

- 1) Do not insulate the chase cavity with blown or fill type insulation materials.
- 2) Local codes may not require firestopping at the ceiling level for outside chase installations; however, it is recommended for safety and the reduction of heat loss.
- 3) We recommend that you insulate at least the first floor of the chase to prevent heat loss.
- 4) Some local codes require 1 hour fire rating on one or all sides of fire chases. Check with your local authorities.

FIREPLACE ENCLOSURE FRAMING

As per the diagram, the framing of the main enclosure should not infringe on the area above the fireplace to the ceiling level. The rear and side walls as well as the face above the fireplace must not extend into the area above the unit. The only structure allowed above the unit is on the stand-offs at the front of the unit supporting the header.

The enclosure walls can be framed using any suitable material (2 x 4 - 2 x 6 studs, plywood, gyproc, etc.), 2 x 6 is not acceptable for header. **Normally, framing will be set back to allow sheathing to be flush with the front of the fireplace.**



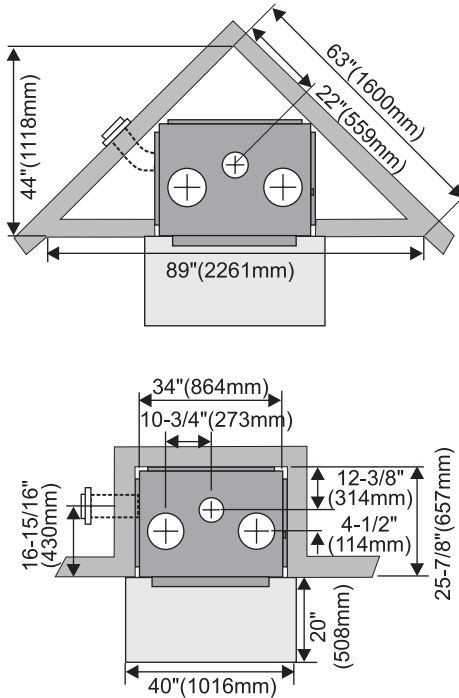
When framing in the header (directly above the fireplace) **DO NOT** bring any combustible material lower than the top of the stand-offs.

Be sure to seal the space between the fireplace and the enclosure above with Wonderboard, Durock or other similar non-combustible sheathing to prevent hot air from entering the enclosure.

CAUTION: ONLY NON-COMBUSTIBLE MATERIAL LIKE EXPANDED METAL OR CONCRETE BOARDS SUCH AS WONDERBOARD AND DUROCK ETC. MAY BE USED IN THE SPACE BETWEEN THE UNIT AND THE FRAMING.

INSTALLATION

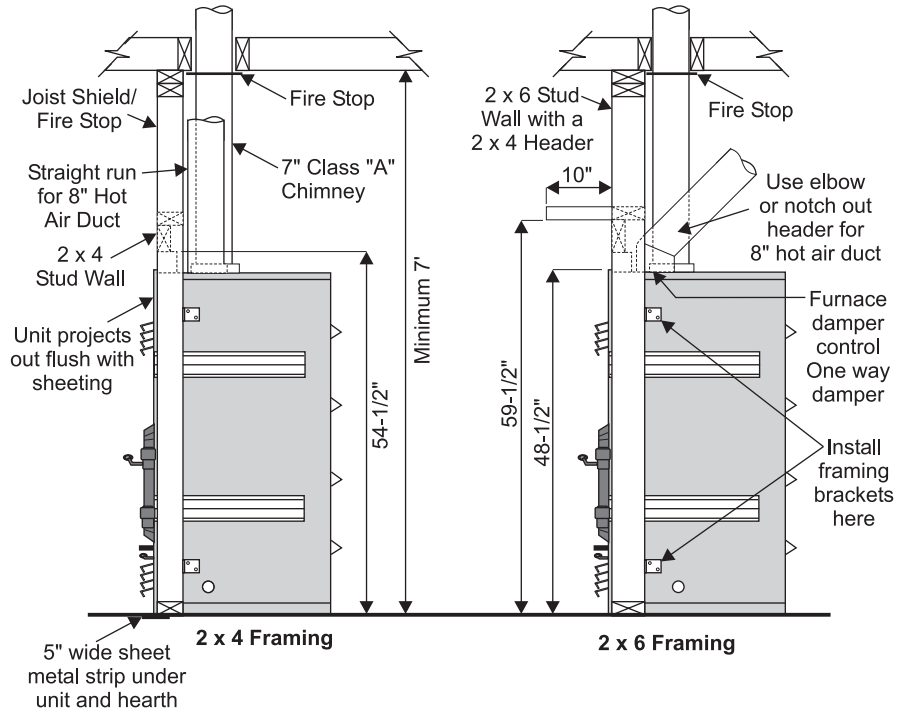
Note: If the fireplace is being cantilevered through an outside wall, the entire enclosure (floor, wall and false ceiling) up to the first ceiling level must be completely insulated and vapor sealed and sheathed, to avoid transfer of cold air through the fireplace when not in use.



Building Structures Cannot Encroach on Chase

FRAMING DETAILS

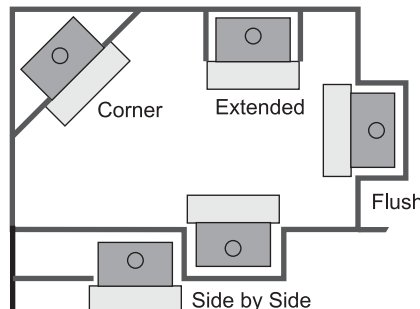
Note: Ducting is tested at 1 in. clearance to framing for the first 6 feet and 1/2 in. thereafter and no stand-offs are required.



LOCATION OF FIREPLACE

Carefully select the proper location for heat circulation, aesthetics, chimney obstructions and clearance to side wall(s). With proper pre-planning, a slight adjustment of a few inches can save considerable time and expense later during construction and assembly.

Carefully consider the position of the fireplace opening with respect to the location of adjacent or nearby stairwells, bath or kitchen exhaust fans and/or return air registers for forced air furnaces/air conditioners that could cause a smoking fireplace condition if the house is tightly insulated.



HEARTH EXTENSION

NOTE: When the unit is raised 4 inches above the floor the Regency Hearth Extension (Part# 000-910) is not required. If you plan to raise the fireplace and hearth extension, build the platform assembly then position fireplace and hearth extension on top. If you are not raising the unit, check that you will have sufficient clearance under the bottom louver for your finishing material on top of the hearth extension, i.e. tiles, concrete board, etc.

- 1) Insert the metal safety strip, packaged with the fireplace beneath the fireplace as illustrated below. The safety strip should be tacked down to prevent possible shifting and should overlap for continual coverage of the floor.

Note: A safety strip is not required when the fireplace rests on a non-combustible surface.

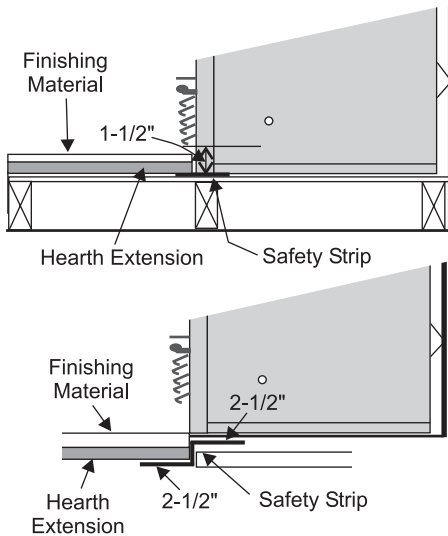
Note: Install the hearth extension only as illustrated.

The safety strip should extend 2 in. (51 mm) in front and on the sides of the fireplace. In the event a wooden support is used to elevate the fireplace above the floor, a "Z" type safety strip should be fabricated from 20 gauge galvanized sheet steel and used to protect the front surface of the wood

INSTALLATION

support as well as the floor beneath the hearth extension.

Note: The "Z" type safety strip is not supplied by Regency and must be fabricated locally.



- 2) Refer to fireplace drawing and specifications on page 6 and page 7 for framing dimensions and details. Framing header may be positioned directly on top of the front fireplace stand-offs.

IMPORTANT: Under no circumstances can the fireplace top or side spacers be removed or modified. Do not notch the header to be installed closer than the fireplace outside facing spacers.

- 3) Fireplace must be anchored to the framing to prevent movement or rocking; use wall grips or seismic brackets which have been supplied. These angle brackets are installed by attaching them to the side of the unit and to the back side of the 2 x 4 or further back on 2 x 6 framing.

CHIMNEY SYSTEM CONSIDERATIONS

Regency's WarmHearth Fireplace is to be installed with one of the following Chimney Systems only. Chimney systems going from 7 in. to 8 in. diameter (with adaptor #000-924) may be used.

In Canada:

Any factory built chimney listed and certified to ULC-S629. Also any of the following chimney covered by ULC-S610 or ULC S604.

- 1) GSW Heating Products Model JFC
- 2) Oliver McLeod Ltd. Model PRO-JET 3103
- 3) Security Chimney Ltd. Model ASHT
- 4) Selkirk Metalbestos Model SS
- 5) ICC Excel 103 HT
- 6) ICC Excel 2100

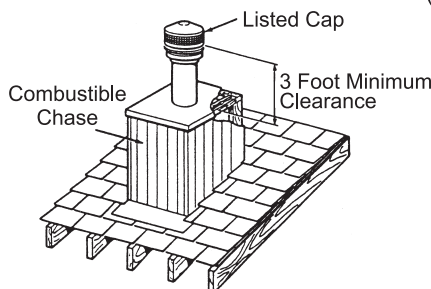
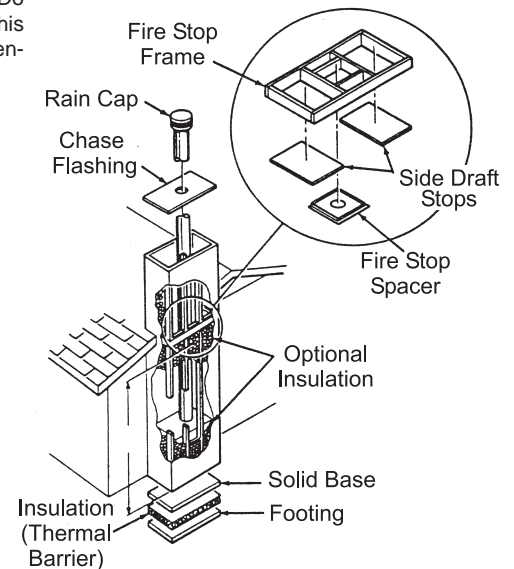
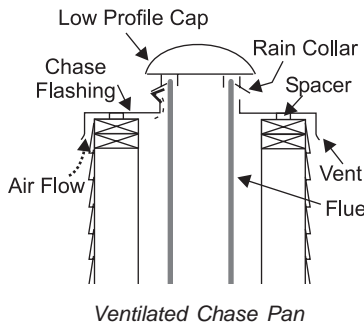
In U.S.A.

Any of the following chimney systems covered by UL-103HT may be used.

- 1) American Metal Product AMERI-TEC Model HS
- 2) GSW Heating Products Model FC
- 3) Oliver McLeod Ltd. Model PRO-JET 3103
- 4) Security Chimney Ltd. Model ASHT
- 5) Security Chimney Ltd. Model S2100
- 6) Security Chimney Ltd. Model Sentinel
- 7) Selkirk Metalbestos Model SS II
- 8) Simpson Dura-Vent Model Dura-Plus
- 9) ICC Excel 103 HT
- 10) ICC Excel 2100

Note: Anchor Plate/Fireplace Adaptor must be purchased with Chimney system.

The use of only one of these systems is permitted when installing the WarmHearth. Do not alter or mix parts from other systems as this may cause a potential hazard and void Regency's limited warranty.



Chimney Height

The total height of your WarmHearth fireplace system from the surface the fireplace rests on to the chimney top must not exceed 36 ft. and must also meet minimum system height chart. Please refer to the Flue Manufacturer's Instructions for specific details. Refer to Page 12 for Minimum Flue System Heights.

Chase Enclosure

A chase is a vertical box-like structure constructed to surround the fireplace and chimney. A ventilated chase cap is highly recommended. Refer to flue manufacturer's instructions for reduced flue heights above chase terminations. ICC and Dura-Vent allow for reduced height with ventilated chase flashing. As with all chimney installations, avoid overhead obstructions such as trees, power lines, etc.

A chase should be constructed just like any outside wall. In a cold climate, we recommend the base of the chase be insulated between the solid continuous floor beneath the fireplace and the chase bottom. If used, the value and amount of chase insulation in a cold climate installation is optional and not required for safety. Insulation is recommended to avoid heat loss.

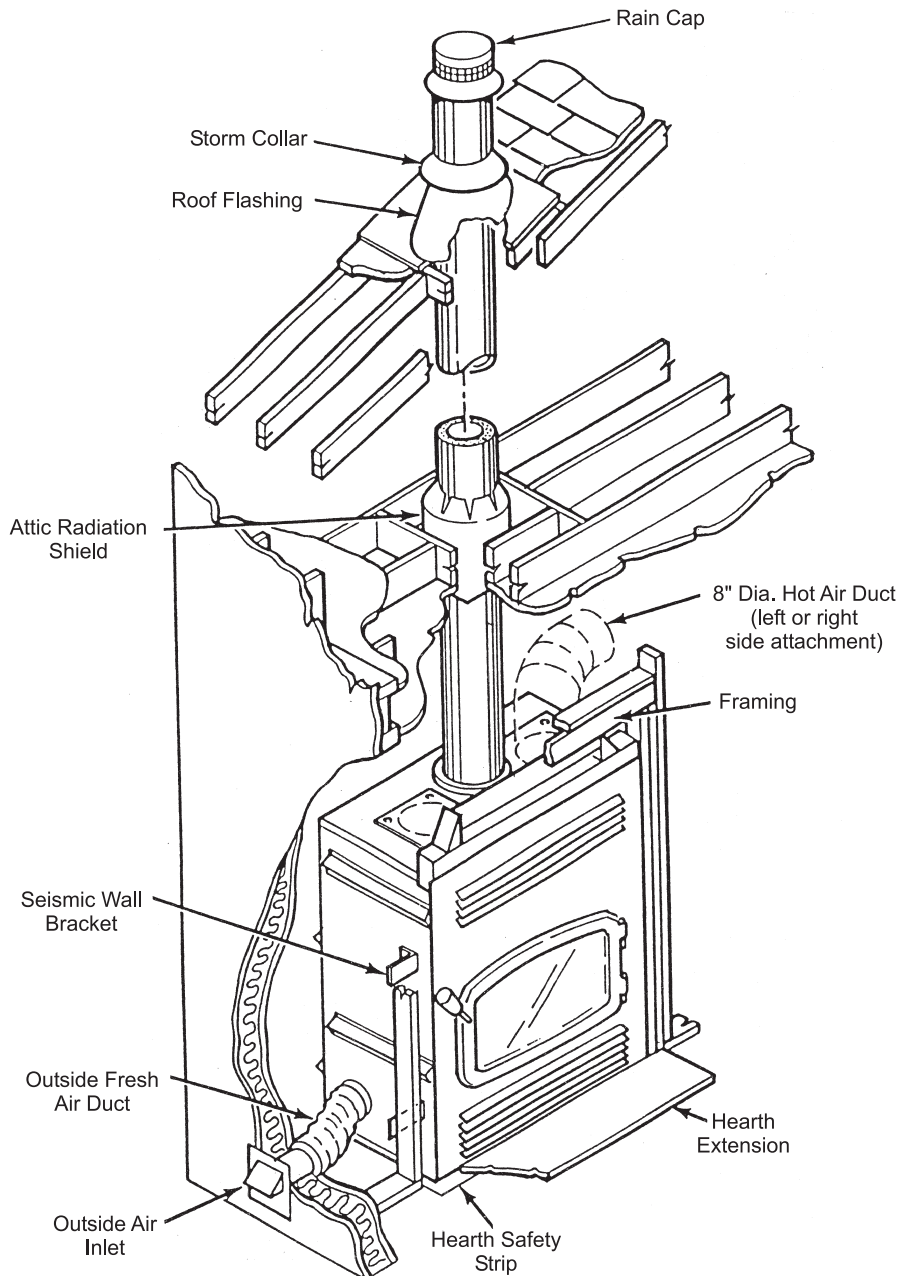
Note: Insulation does not come in contact with Chimney. Maintain a 2 in. clearance.

INSTALLATION

BEFORE YOU START

Check your inventory list to be sure you have all the necessary parts supplied in good usable condition. Check for any concealed damage. Check the operation of the combustion air damper. When the damper is in the fully closed position, the damper handle should be to the right. When damper is in the fully open position, the damper handle must be in the left position.

Installation Components



ASSEMBLY STEPS

Note: The following steps represent the normal sequence of installation. Each installation is unique, however, and might require different steps. Each step is dealt with in detail in the following pages.

1) Install stand-offs and insulation strip to the unit. See Page 10.

2) Complete Framing for the WarmHearth. See Pages 7 to 9.

IMPORTANT: Remove all gold accessories such as door, louvers while installing to avoid marking.

Position firebox prior to framing or into prepared framing. See Page 8.

3) Install the chimney system. See Pages 9 to 10.

4) Install outside combustion air kit. See Page 13.

5) Hook-up the Wiring. See Page 13.

6) Install the Blowers. See Pages 13 to 14.

7) Gravity Air Feed Option. See Page 14.

8) Install Central Heat Kit, if applicable. See Pages 15 to 16.

9) Complete finish wall material, surround and hearth extension to your individual taste. See Pages 17 to 18.

10) Position masonry liner/bricks and ceramic fiber insulation in the unit. Attach gold louvers, glass, door, spring handles. See Page 19.

INSTALLING THE STAND-OFFS

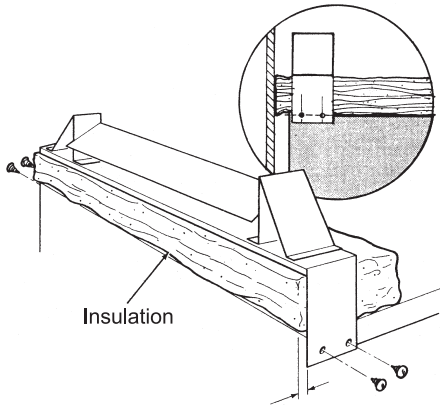
Stand-offs are installed to provide reduced temperatures and proper clearances for the safe installation of your product. They consist of four 1 in. stand-offs on the back, two 2 in. stand-offs on each side and one 6 in. stand-off on the top of the unit.

Attach these stand-offs where indicated in the pre-drilled holes on the unit body.

IMPORTANT: It is absolutely necessary to attach stand-offs to the unit to avoid combustion problems. Serious overheating of combustible framing and possible fire may

INSTALLATION

result if stand-offs are not properly installed.



IMPORTANT: Insulation extends forward to seal against the back of the WarmHearth masonry or non-combustible face.

SET THE WARMHEARTH INTO POSITION

- 1) Estimate the total weight of the fireplace system and surround materials such as brick, stone, etc., to be installed. Shipping weight is 715 lbs. and stripped weight is 460 lbs. Stripped weight refers to the weight of the product with bricks, door and any accessories removed.
- 2) Measure the square footage of the floor space to be occupied by the system, surrounds and hearth extensions.
- 3) Note the floor construction, i.e. 2 x 10's, (51 x 250 mm), single or double joists, type and thickness of floor boards and consult your local building code to determine if you need additional support.
- 4) Remove door, firebox bricks, louvers etc.

Note: Set aside Gold doors and louvers away from harsh chemicals and away from abrasive materials to avoid damage, e.g. muriatic acid for masonry wash will strip the gold plate on the door. Firebricks are fragile and should be handled with caution.

The fireplace may be installed directly on a combustible floor or raised on a platform of an appropriate height. Do not place fireplace on carpeting, vinyl or other soft floor coverings. It may, however, be placed on flat wood, plywood, particle board or other hard surfaces. Be sure the fireplace rests on a solid contin-

uous floor or platform for support and to prevent cold air from entering the room from under the fireplace, if against an outside wall.

The fireplace may be positioned and then the framing built around it, or the framing may be constructed and the fireplace positioned into the opening.

The minimum ceiling height is 7 feet. When the unit is raised 4 inches above the floor the Regency Hearth Extension (Part# 000-910) is not required. A suitable non-combustible hearth pad is mandatory in all installations.

INSTALLING THE CHIMNEY SYSTEM

Following are a set of general guidelines for installation of the chimney system. The more detailed installation manual supplied with the specific chimney system must be followed.

- 1) Using standard construction framing techniques, construct the opening for the chimney route up through the ceiling(s) and roof or through an outside chase. Framing must maintain adequate minimum air space clearance at all times.

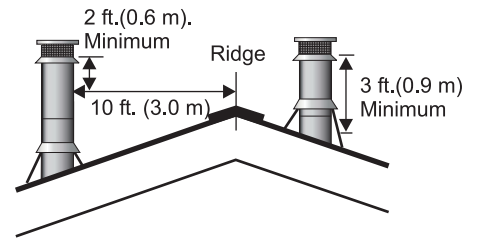
CAUTION: Allow a minimum 2 in. chimney air space or as specified by the owner's manual for the chimney, to combustible framing members throughout vertical or offset chimney installation.

- 2) Attach anchor plate/fireplace adaptor to the top of the fireplace. It is important that a tight seal be made with this part and the unit's collar. This must be purchased with the chimney system.
- 3) Install firestop, radiation shield, or attic insulation shield as required at each floor penetration. See Table 1. Check chimney manufacturer's framing opening sizes to allow for correct clearances. All parts must be listed.

- 4) The roof flashing should be installed making sure that alignment is correct with openings below.

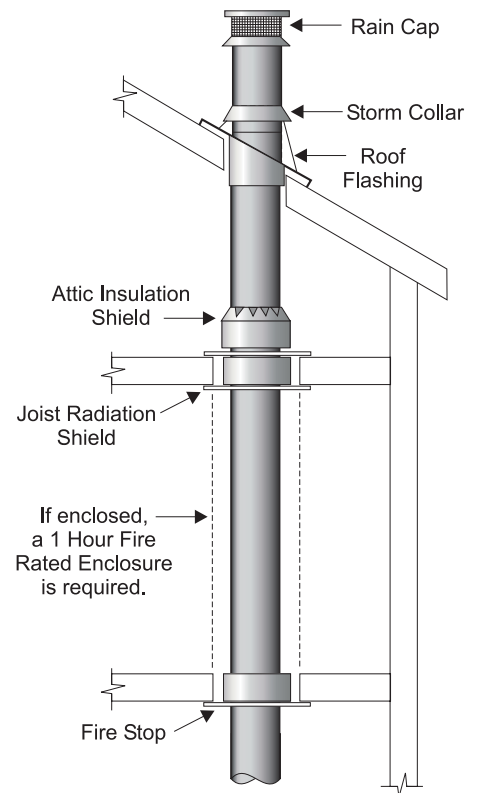
- 5) Chimney lengths may now be added until the required height is reached. A minimum flue height of 16 ft. from the floor (or 12 ft. from the top of the unit) is mandatory. Please refer to Table 2 for Flue Heights:

The performance of your unit is governed to a very large extent by the chimney system. Too short a chimney can produce poor drafting which in turn can cause difficult start-up, dirty glass, smoking out door and even reduced heat output. Too tall a chimney may prompt excessive draft which can result in very short burn times



and excessive heat output. The chimney must extend at least 3 ft. above its point of penetration of the roof and be at least 2 ft. higher than any point on the roof, wall, or building within 10 ft. of it.

- 6) The raincap and storm collar should now be fastened to the top of the chimney. Install additional support(s) as indicated by chimney manufacturer's instructions.



SPECIAL NOTES:

- 1) **Negative Pressure In The House.** When there is no fire in your unit there still should be sufficient draft to draw smoke from a burning piece of paper held under the baffle. If your installation is correct, smoke will go up the flue. If however, there is a problem with your installation, cold air may be coming down the flue into the room. This may be the case if your unit smokes on start-up with the door open, until the unit heats up. To overcome this problem, try closing an upstairs window and open a nearby window to pressurize the house. Note: the door can be open briefly to start your fire but **must be closed** during reg-

INSTALLATION

TABLE 1

REQUIRED FIRESTOP, RADIATION SHIELD, OR ATTIC INSULATION SHIELD		
Model	1st Floor	2nd Floor into Attic
AMERI-TEC3103	Firestop Assembly (FSA)	FSA with Attic Insulation Shield (AIS)
GSWFJC	Firestop/Radiation Shield (FRS)	Firestop Attic Insulation Shield (JSC-FAIS)
GSWFC	Firestop Radiation Shield (FRS)	Firestop Attic Insulation Shield(JSC-FAIS)
ICC Excel 103HT	Radiation Shield (RS)	Radiation shield (RS) with Storm Collar (SC)
ICC Excel 2100	Radiation Shield (RS)	Radiation shield (RS) with Storm Collar (SC)
O.M. PRO-JET	Firestop Radiation Shield	Joist Shield with Attic Insulation Shield
Security ASHT	Firestop Radiation Shield (RS)	Radiation Shield with Attic Insulation Shield (RS,RSA)
Security 2100	Radiation Shield (XRSA)	Radiation Shield (XRSA)
Selkirk SS	Radiation Dustshield	Attic Insulation Shield
Selkirk SSII	Firestop Wallspacer	Firestop Wallspacer with Attic Insulation Shield
Simpson DURA-PLUS	Firestop Radiation Shield	Firestop Radiation Shield with Attic Insulation Shield

TABLE 2

MINIMUM RECOMMENDED FLUE HEIGHTS IN FEET (Measured from the top of the solid fuel appliance)							
ELEVATION (FT) ABOVE SEA LEVEL	# OF ELBOWS						
	0	2 x 15°	4 x 15°	2 x 30°	4 x 30°	2 x 45°	4 x 45°
0-1000	12.00	13.00	14.00	15.0	18.00	16.00	20.0
1000-2000	12.48	13.52	14.56	15.6	18.72	16.64	20.0
2000-3000	12.96	14.04	15.12	16.2	19.44	17.28	21.6
3000-4000	13.44	14.56	15.68	16.8	20.16	17.92	22.4
4000-5000	13.92	15.08	16.24	17.4	20.88	18.56	23.2
5000-6000	14.40	15.60	16.80	18.0	21.60	19.20	24.0
6000-7000	14.88	16.12	17.36	18.6	22.32	19.84	24.8
7000-8000	15.36	16.64	17.92	19.2	23.04	20.48	25.6
8000-9000	15.84	17.16	18.48	19.8	23.76	21.12	26.4
9000-10000	16.32	17.68	19.04	20.4	24.48	21.76	27.2

ular operation because the unit uses outside air for combustion, not room air.

2) Multiple Terminations. When you install more than one chimney in the same chase or within the same general area, we suggest that their terminations be separated by at least 16 in. (410 mm) horizontally and 18 in. (460 mm) vertically. This separation is to prevent smoke migrating from one chimney to another.

3) Chimney Maintenance. It is important that you inspect your chimney regularly and keep it clean. If you note more than 1/8 in. creosote build up in your chimney have it cleaned as per instructions of the chimney manufacturer.

4) Chimney Fires. If you do have a chimney fire, refer to the following:

- a. Close the fireplace doors and air damper.

b. Clear family members out of the area.

c. Call the fire department.

d. Use a dry chemical fire extinguisher, baking soda or sand to control the fire. **Do not use water, it will create a steam explosion.**

e. Check for hot embers around the unit and outside your home; extinguish.

f. Do not use your fireplace again until it has been inspected by a qualified person.

Offset Chimney Installation

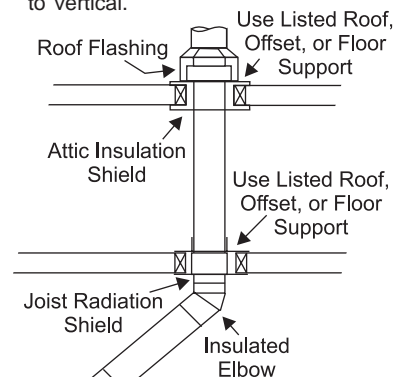
Chimney elbows may be used in the installation of the system. A maximum of four 45 degree elbows are allowed. This may be achieved by combining 30 degree and 15 degree elbows together if necessary and allowed by the chimney manufacturer. Offset angles of 45, 30 and 15 degrees are allowed with a maximum of 2 offsets.

1) Install the fireplace and chimney as described above. When you require an elbow, proceed as follows:

2) Install the insulated elbow. Turn the elbow to the required direction and fasten it with screws or locking bands depending on flue design as specified by the manufacturer.

3) Turn the chimney lengths clockwise to lock them together, then secure them with screws at each joint or locking bands; see the manufacturers requirements.

4) Use another elbow to return the chimney to vertical.



5) Install an offset support in the joist at the ceiling. Re-support above each offset; elbows are not designed to carry the weight of the flue system.

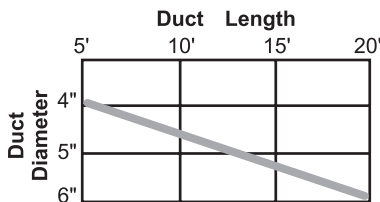
INSTALLING THE OUTSIDE AIR KIT

Combustion air is fed to the firebox through a connection on the rear lower left side of the unit. A free flowing supply of air must be available to this opening at all times. Combustion air may be taken from inside the building if the local building code allows, but performance may suffer. Also, it must go through the 4 in. duct to the connection on the left hand side.

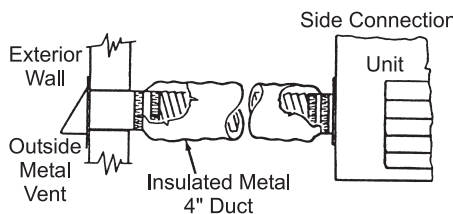
Air drawn from the interior of the building will affect the performance of gas or oil furnaces, and exhaust fans and fan driven appliances. This may cause a negative pressure in the house allowing smoke to back into the home. The preferred source of combustion air is from outside the building. If possible, install the kit on the wind loading side of the building not the leeward or (negative pressure) side.

Note: Do not obtain combustion air from attic, garage or other enclosed space.

- Put the supplied insulated air duct to a nearby exterior wall. Maximum length of duct is 20 ft. (6.1m). Duct length should be kept to a minimum and as straight as possible. Note: 5 ft. only is supplied with unit. If more than 5 ft. is used, increase the diameter of the duct. Termination should be in an area with good air flow.



- Ensure that your air source is not close to automobile exhaust, gas meters or other vents.
- Cut a 4-1/4 in. hole through the wall and mount the outside air kit.
- Attach the two ends of the duct (making sure not to damage the insulating cover) after installing the flange on the fireplace side. Duct must be secured by screws or clamp.



Outside Air Inlet must be 6 ft. below the chimney termination point

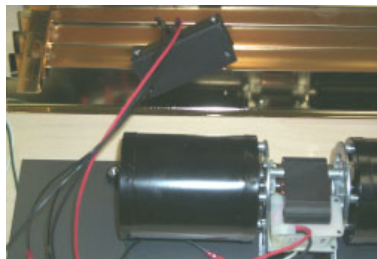
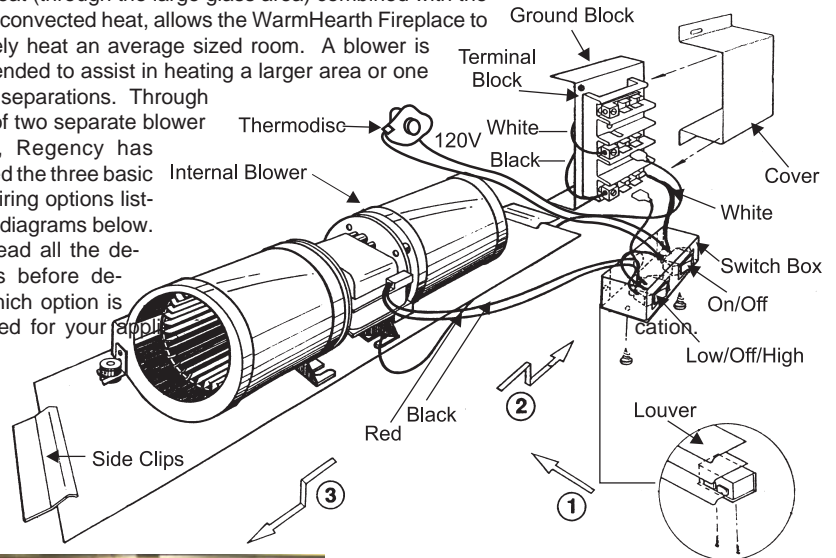
WIRING THE WARMHEARTH

Field wire main power supply to fireplace for fan kit. (All electrical connections should only be performed by a licensed/certified electrician).

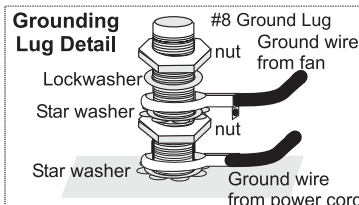
CAUTION: Label all wires prior to disconnection when servicing controls. Wiring errors can cause improper and dangerous operation.

INSTALLING THE BLOWER SYSTEMS

The WarmHearth Fireplace has been designed to meet a wide range of heating requirements. The radiant heat (through the large glass area) combined with the naturally convected heat, allows the WarmHearth Fireplace to adequately heat an average sized room. A blower is recommended to assist in heating a larger area or one with wall separations. Through the use of two separate blower systems, Regency has developed the three basic blower wiring options listed in the diagrams below. Please read all the descriptions before deciding which option is best suited for your application.



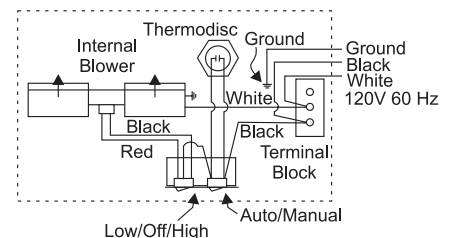
Blower switch box slides into bottom louver assembly and is screwed into place. Place label on outside of louver as shown.



OPTION 1 Internal Blower with Thermo-Disc

The thermodisc provides the user with more convenient control. By leaving the auto/man switch on AUTO, the thermodisc will shut the fan off automatically when the fireplace is too cool to provide adequate heat.

- Slide blower under side clips (see directional arrows on diagram) and wire to terminal box. Note: hardwire terminal box before drywalling.
- Blower switch box slides onto bottom louver and is screwed into place.
- Place sticker on outside of bottom louver.

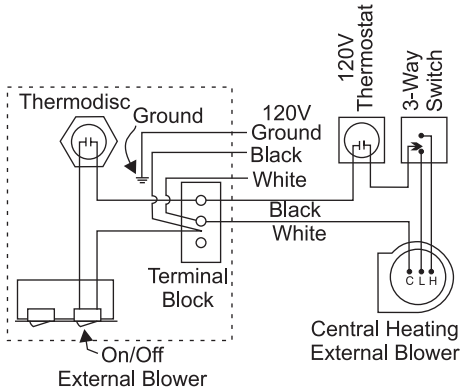


INSTALLATION

OPTION 2

External Blower with Thermo-Disc

The thermodisc allows the fireplace to warm up properly before the blower will switch on. The blower is also switched off if the fireplace temperature falls below suitable heating levels.



ing the thermodisc to the fireplace. The holes are on the right hand side just below the ashlip.

000-918

(Fastens to louvers)

One-way Damper:
Eight inch diameter butterfly valve necessary for external blower installation.

The remainder of the components discussed here are optional and are available from your Regency dealer or local heating supply outlet. Below is the listed specifications required for these parts:

External Blower: 8 inch diameter inlet a minimum capacity of 433 CFM at a static pressure of 0.75 in. w.c. and is listed in the country where the blower is to be used.

Wall Switch: 1 speed blower requires 2-way switch
2 speed blower requires 3-way switch etc.

Wall Thermostat: For both wall switch and thermostat see your Regency dealer or heating supplier for compatible parts.

FANPARTNUMBERS

The parts listed below are available from Regency. Please see your Regency Dealer for prices.

000-912 Internal Blower Assembly:
Includes 150 CFM, 2 speed blower, Blower Switch Kit and Thermo-Disc Kit.

000-928 Blower Switch Kit:
Includes switch box, two way switch and a three way switch.

OPTION 3

Internal and External Blowers with a Thermo-Disc

When both blowers are used the thermodisc should be connected to the external blower.

Note: There are two holes provided for attach-

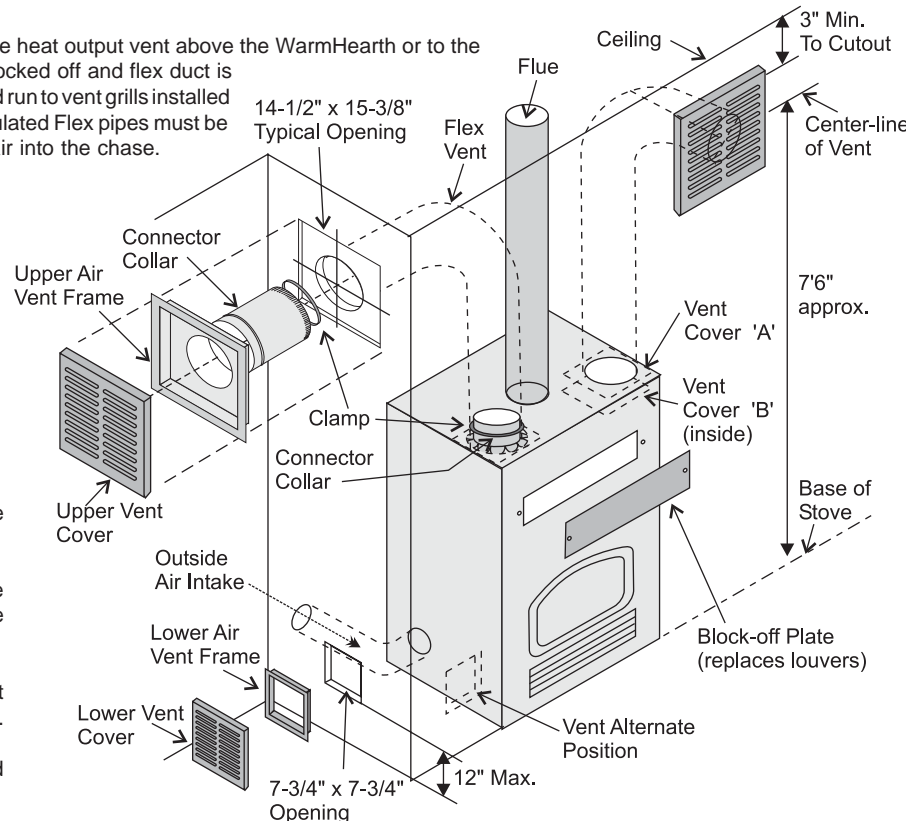
GRAVITY AIR FEED KIT OPTION

The Gravity Air Feed Kit is designed to extend the heat output vent above the WarmHearth or to the front or the side. The upper louver opening is blocked off and flex duct is connected to the vent holes in the top of the unit and run to vent grills installed above the unit or to the side. Both 8" diameter insulated Flex pipes must be used along with the air vent to bring additional air into the chase.

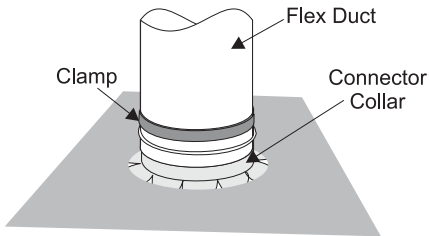
Parts List

- | | |
|------|--|
| Qty. | |
| 1 | Block-off plate 6-1/2" x 26" |
| 4 | Connector collars |
| 4 | Adjustable clamps |
| 2 | Upper air vent frame |
| 2 | 5' lengths of flexible vent pipe (8" dia.) |
| 2 | Large upper vent covers |
| 1 | Small lower vent cover |
| 1 | Lower air vent frame |
| 2 | Insulation sleeves for flexible vent pipe |

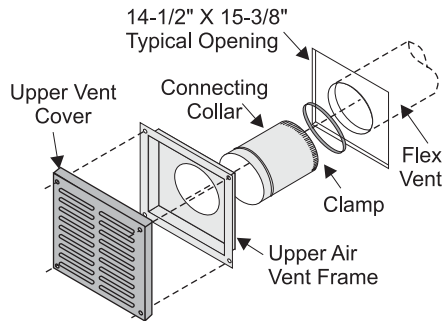
- 1) Remove the screws from both of the vent hole covers (Vent cover A) on top of the unit.
- 2) Take the connector collar and rotate it in the hole to cut through 4" of insulation. Remove the insulation from pipe.
- 3) Remove the screws on the lower cover (Vent cover B) and slide it back under the insulation.
- 4) Slide the connector collar into the flex duct and secure with an adjustable clamp.



- 5) Install the connector collar into the unit making sure it is pushed all the way down. Reach through the upper louver opening and snip and bend out the lower edge of the collar in at least 4 places inside the fireplace with pliers so it can't be pulled out.



- 6) Slide the collar into the flex duct. secure with an adjustable clamp. Snip and bend out the outer edge of the collar in at least 4 places inside the frame so it can't be pulled out.
- 7) Drill holes or use nails to attach the Vent Frame to the wall. Note: holes in frame are used to attach the Vent cover.



IMPORTANT: Make sure the front edge of the collar is flush with the front edge of the air vent frame.

NOTE: The flex duct can easily be trimmed shorter or stretched longer.

NOTE: Termination boxes require a 14-1/2\"/>

- 8) Locate and install the lower air vent next. A 7-3/4\"/>

WARNING: Lower air vent **MUST** be installed in all applications, otherwise serious overheating of the chase may result.

- 9) Fasten the block-off plate to the WarmHearth using the existing holes that normally secure the louvers, using the louver screws. Make sure the top edge is up.

Use high temperature silicone to seal the block-off plate to the unit. If necessary drill extra holes in the plate and the unit and secure with extra screws.

NOTE: Make sure the block-off plate is flush and fastened tightly to the WarmHearth.

Important: A tight joint between masonry and the fireplace is necessary to prevent heat from rolling up the front to the Face Header.

- 2) Metal ducting, grills and distribution boxes. (Installer Supplied)
- 3) Ducting is tested at 1 in. clearance to framing for the first 6 feet and 1/2 in. thereafter and no stand-offs are required. All ducting should be insulated to reduce heat loss.

CAUTION: Blowers must meet specifications listed on page 13, A home fire may result from the use of substitute parts.

INSTALLING YOUR CENTRAL HEATING SYSTEM

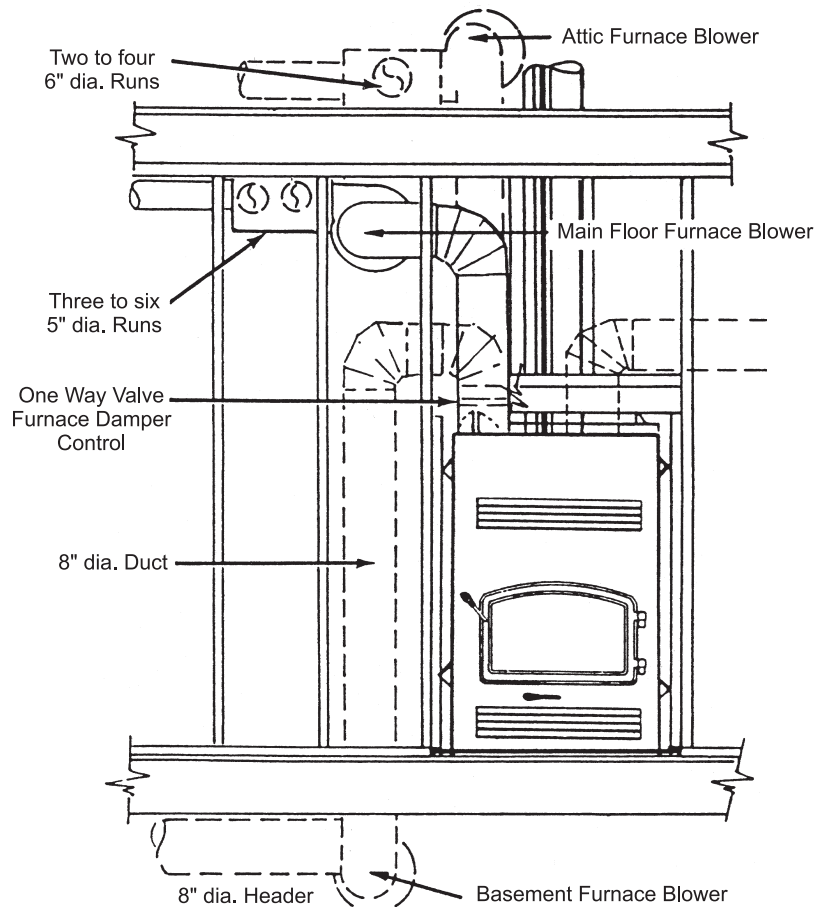
Installation

The WarmHearth may be used as a central forced air heating unit by adding ducting and a fan.

Materials Required:

- 1) Blower requirements: see Options 2 and 3 in section "F) Installing the Blower Systems"

- 1) Remove screws from one of the vent hole covers "A" (but not both) on top of the WarmHearth.
- 2) Take one way duct vent pipe and rotate in hole to cut through 4 in. of insulation. Remove insulation from pipe.
- 3) Remove screws on cover "B" and slide it to the back.
- 4) Install the one way valve making sure it is pushed all the way down. Shutters should



Central Heat Option

INSTALLATION

be at the top so they lie flat. Bend out the lower edge of the valve at 4 places inside the fireplace with pliers so that it can't be pulled out again. Diagram 2.

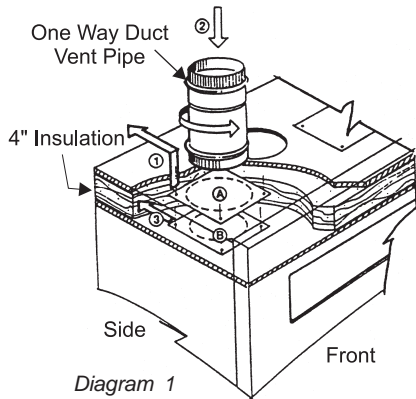


Diagram 1

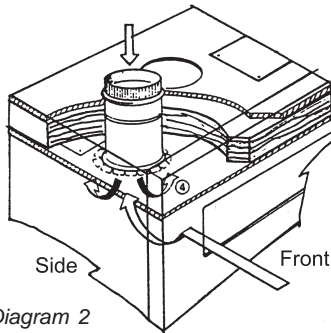


Diagram 2

- 5) Locate the blower in a convenient location near the fireplace. In a 2 story home one good location would be in the ceiling of the basement because you must be able to access it for oiling and replacement.

Note: The blower can be installed almost anywhere in the home. However, some thought should be put into the planning, to ensure blower noise is kept away from rooms that want quiet. Length of runs should be kept to a minimum to conserve space and minimize cost. Maximum duct length should normally not be more than 50 feet between the fireplace through the fan to the outlet farthest away. There is a loss of about 15% performance at 50 feet.

WARNING: The WarmHearth may be tied into your home's central warm air duct system by linking into the HOT air duct in any position you may choose, however, caution must be used to ensure that hot air produced by the WarmHearth cannot be drawn back into the central heating furnace.

- 6) Connect the **inlet** of the blower to the outlet of the valve using 8 inch diameter metal ducting (rigid or flex). Any other size will not work properly.
- 7) Duct-work can then be run to the desired rooms following good warm air distribution practices. Up to six 5 in. diameter runs can be installed from this system.

Note: The cross sectional area of the distribution system must total at least 50 square inches. For example: If 5 in. pipe is used for distribution, the cross section of each is 20 square inches. Three runs of 5 in. pipe is minimum. Shut-offs must not be installed on the registers feeding the room with the thermostat. To prevent the duct and motor from overheating 50 square inches of grill/duct must remain open during operation.

WARNING: When the central heating blower is in operation it actually removes air from the room containing the fireplace. If this room can be closed off from the rest of the house, (i.e. with a door) a grille with at least 100 square inch open area must be installed to allow the air to get back to the fireplace. Otherwise periodic smoking of the fireplace will be experienced.

- 8) When installing the blowers for the central heating option, a thermodisc must be installed (supplied with one-way damper). Install thermodisc on the inside (top right side) against the back surface using the two screws, lock washers and nuts supplied. See diagram 3.
- 9) Wire fan to a 120 volt, 15 amp breaker through the line voltage thermostat. See wiring diagrams on page 14. If used, the

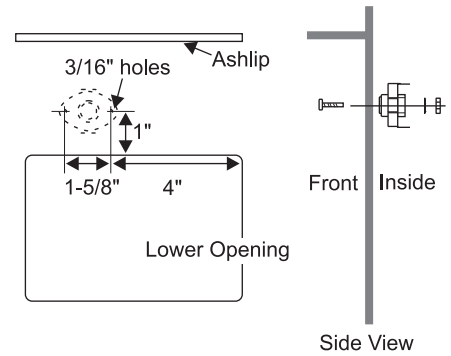
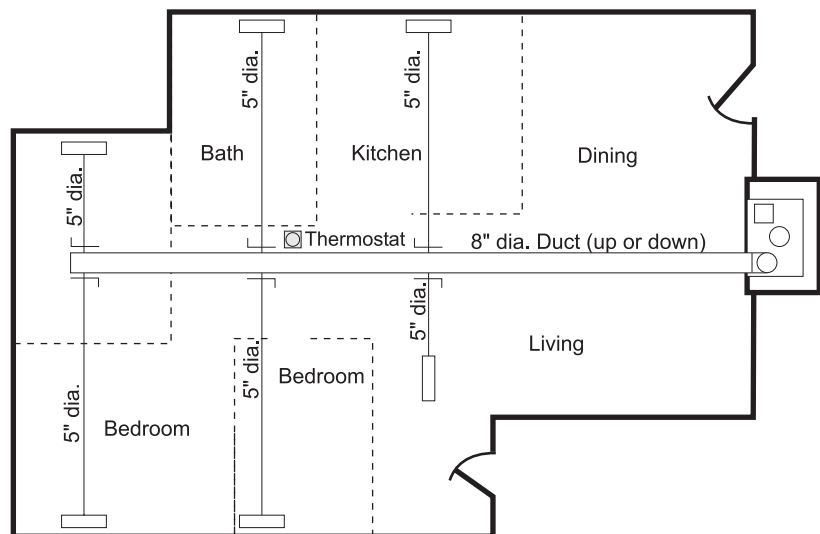


Diagram 3

thermostat should be located in the principal room heated through the duct system. Do NOT install it in the room the fireplace is built in. Near the fireplace a simple shut-off switch must be installed in series with the thermostat. If the internal blower (Part # 000-912) is also installed, the shut-off switch will be mounted just beside the variable speed control.

Note: Do not install an independent variable speed control on the central heating fan, unless the manufacturer of the central heating fan permits it.

- 10) Frame around fireplace and ducting as shown. Use metal ducting only; don't use plastic in the chase. The diagram shows some ways of ducting the hot air from the fan. You are not restricted in the size of pipe, as long as the total cross sectional area of all runs combined is not less than 50 square inches. The diagram shows alternate fan locations. Only one external fan is allowed.
- 11) Ducting is tested at 1 in. clearance to framing for the first 6 feet and 1/2 in. thereafter and no stand-offs are required. All ducting should be insulated to reduce heat loss. Use only approved insulation.



Typical Floor Register

FINISHING THE WARMHEARTH

Completing the Facing

Facing materials must be thin veneer (non-self supporting facades) or self supporting facades. If you are installing a thin veneer facade the Regency Masonry Retainer Kit (Part # 000-920) is recommended. All facades must be **Non-Combustible** such as brick, rock or ceramic tile. See Clearance to Combustible diagram at the beginning of this manual to determine the extent to which you must use non-combustible materials. Gypsum wallboard is not non-combustible. Diagram 1.

Non-Self Supporting, Thin Veneer Facades Installation:

- 1) Install heavy expanded metal only on the top half of the fireplace using a drill to pre-drill holes and install using tap screws at locations as indicated on kit.
- 2) Install metal edging of kit on each side of the doors making sure the edges fit nicely with the arch edge above.
- 3) Cover the rest of the area with wire mesh or metal lath, overlapping around the heavy expanded metal.
- 4) Mortar must be "thin set" or "thin bed" type inherently polymer modified. If not modified, you should add a synthetic latex additive. Mix to a firm, moist consistency. Using a plasterer's or mason's trowel apply mortar 1/2 in. to 3/4 in. thick to prepared surface area. Do not spread more than a workable area so that the mortar will not set up before stone or brick is applied.

Note: Remove the fireplace doors and louvers and store them in a safe place until all the masonry work is finished. Acid from the cleaning operation will permanently damage gold plating.

- 5) If additional mortar is required, use a grout bag to fill in joints. Care must be taken to avoid smearing on the surface of stone or brick. Accidental smears should be removed only after mortar has become crumbly, using a whisk broom or dry bristle brush. Do not use a wet brush or a wire brush.
- 6) When mortar joints have become firm (thumb-print dry) they should be pointed up with a wood stick or metal jointing tool.

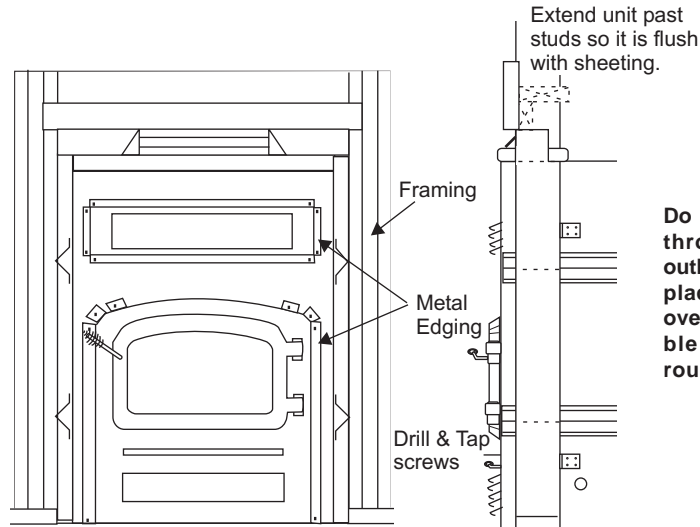


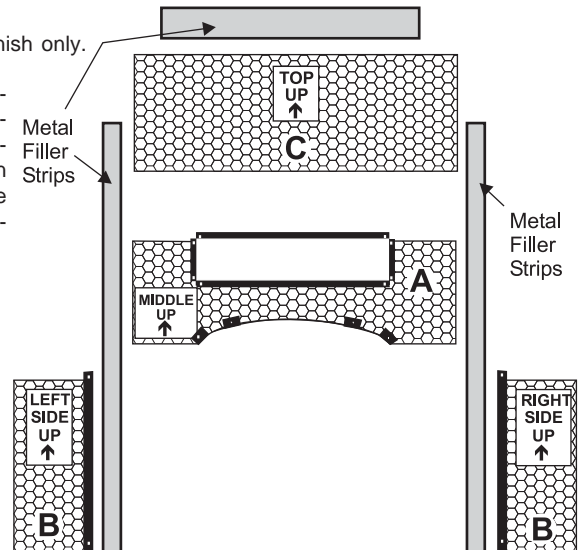
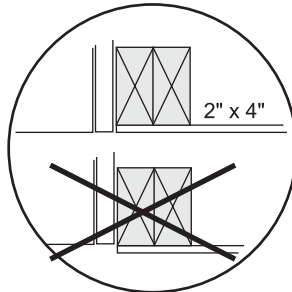
Diagram 1

Do not restrict air flow through the inlet and outlet louvers of the fireplace. This will cause overheating and possible ignition of surrounding materials.

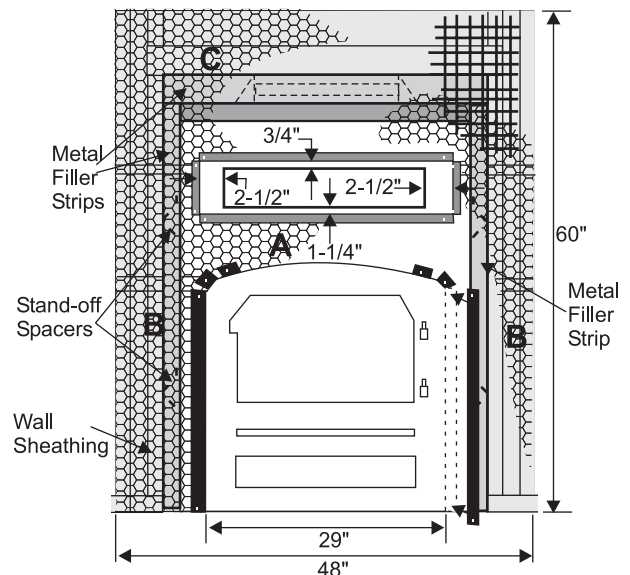
Masonry Retainer Kit Option

For a non-selfsupporting veneer finish only.

- 1) Framing and plywood cannot extend past the side and top stand-off spacers. Allow for the thickness of the wall sheathing when framing so that the front of the WarmHearth and the wall sheathing are flush.



- 2) Unscrew the top stand-off and move the ceramic blanket forward so it will be tight against the mesh to make a seal.
- 3) Mesh must be positioned one way only to allow the mortar to hold and not slide off. Place "Middle" mesh (A) on the front and position top grill edge frame. Check dimensions from opening and mark and drill screw holes. Depending on the installation, heavier reinforcing wire screen may be required to bridge the stand-off spacer area around the perimeter of the unit. Hold in position with 2 screws while the door arch is centered.



INSTALLATION

- 4) Place side metal filler strips in between stove and framing to cover the stand-off space. Fit the strips behind "A" so that they cover the stand-offs, and will prevent mortar from falling through the mesh.
- 5) Center door arch edge, mark and drill holes. Note the top of the side pieces meet up with the edges of the center arch. Attach arch edge and bottom of grill edge to unit. The door arch floats at each end so that it can be adjusted to match the curve of the door.
- 6) Depending on the height of the hearth in front of the unit, it may be necessary to trim the bottom of the mesh sides (B) to fit. Mark and drill holes for side pieces. Attach with washers and screws.
- 7) Place the top metal filler strip in between stove and framing to cover the stand-off space. Fit the strips behind Top mesh "C" so that it covers the stand-off, and will prevent mortar from falling through the mesh.
- 8) Put the door on the unit and check that the veneer on the door hinge side does not interfere with the door swing.
- 9) Use washers and screw top mesh (C) to top of grill frame. This is attached with the top edge of the grill frame on piece (B).
- 10) Now fasten mesh to wall sheathing and blend in.
- 11) Use only **non-combustible** masonry products to finish fireplace front.

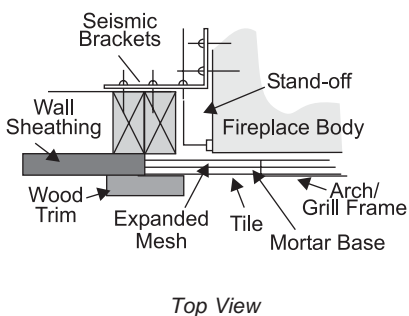
Finishing Details

Consideration must be given to fireplace placement when deciding on how to complete the facing.

IMPORTANT: A tight joint between masonry and fireplace is necessary to prevent heat from rolling up the front to the Face Header.

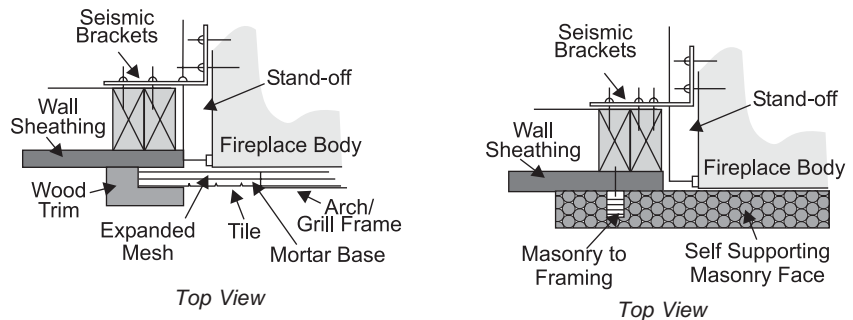
Example 1:

Face of Fireplace Flush with Wall Framing.



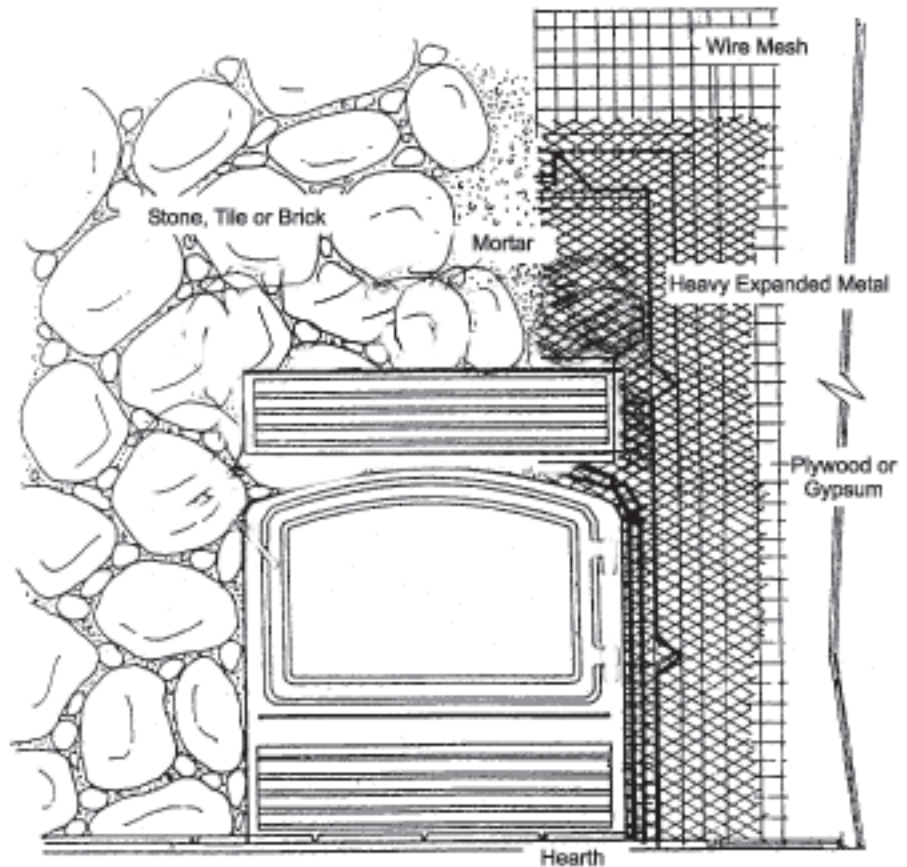
Example 2:

Face of Fireplace Flush with Wall Sheathing.



Completing the Mantle

A stone mantle may be placed directly above or below the warm air outlet. If a wood or other combustible mantle is desired, it must be at least 18 inches above the grill opening and may project up to 10 inches in front.

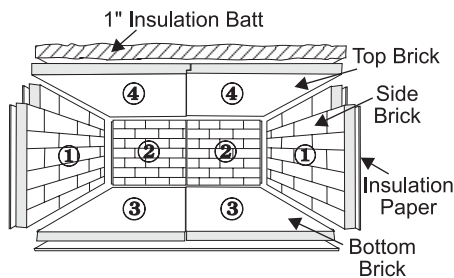


INSTALLATION

MASONRY LINER/ BRICKS

Insulated refractory panels are included to extend the life of the fireplace and help radiate heat more evenly. Make sure Insulating Paper is in place along the bottom, side and rear before bricks are put into place. Insulation batt, 1 in. thick is placed above the top brick baffle.

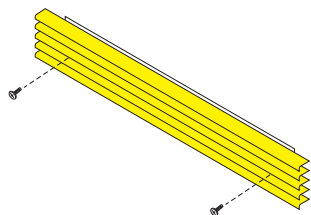
Using the diagram to find the correct location of the panels install in the following sequence: sides, rear, bottom, top. Care should be taken not to damage the panels during installation. **THE LOG ANDIRONS SHOULD NOT BE REMOVED.**



LOUVERS

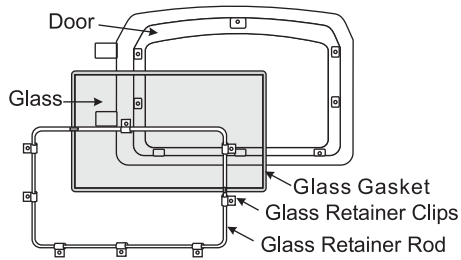
The unit comes with standard black louvers but can have Gold Plated Louvers as an option. There are 2 sets of louvers: the top consists of 4 louvers and the bottom has 5 louvers.

To attach the louvers first slide 2 spring nuts into place making sure the smaller holes are on the back of the unit. Louvers are held in place by feeding the two screws through the spring nuts. Louvers can be removed by inserting a screw driver between the louvers and removing the screws.



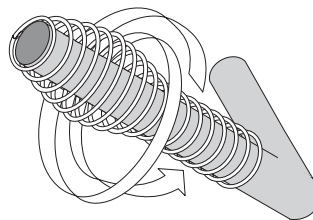
GLASS INSTALLATION

Remove the wire retainer from the door, and place the glass in the door, making sure that the glass gasketing will properly seal your unit. The retainer should be resting on the gasketing not on the glass. Tighten securely, but do not wrench down on the glass as this may cause breakage. Do not substitute materials. If your glass door breaks, do not use your unit until it has been replaced. See glass replacement section on page 19.



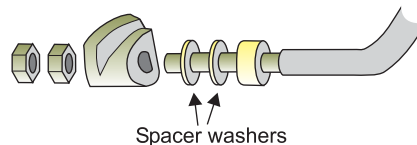
DOOR HANDLE

The unit comes with a standard black door or optional gold plated door. After the unit has been installed and the facing completed place the door onto the door hinges. Put hinge cover caps on top of hinge to complete the door. Install the gold spring handle onto the handle bar.



LATCH ADJUSTMENT

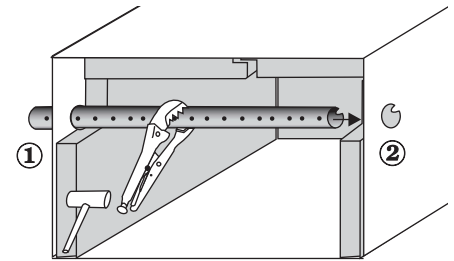
The door latch may require adjustment as the door gasket material compresses after a few fires. Removal of the spacer washer shown in the diagram below will allow the latch to be moved closer to the door frame, causing a tighter seal. Remove and replace the nuts, washer and spacer as shown.



SECONDARY AIR TUBE INSTALLATION

- 1) Slide air tube into the hole on the left hand side of the firebox as far as it will go. The notch in the air tube should be facing the right hand side of the firebox.
- 2) Slide the air tube back towards the right side until it locks into place. To lock into position, use a pair of vise grips and tap them with a mallet until the tube locks into place. The air holes should be pointing down toward the primary air opening just inside the bottom of the door opening. The air tube will be difficult to snap into place because it has to be a snug

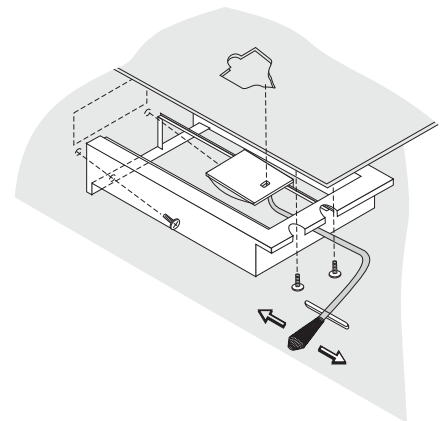
fit in order to prevent it from falling out when a fire is burning.



OPERATING INSTRUCTIONS

Draft Control

Both the primary and air wash drafts are controlled by the control rod located under your ash lip. To increase your draft, push left for **open**, to decrease push right for **closed**. The draft control box is removable should it require attention. From time to time a high temp lubricant may be needed to keep the draft control sliding easily. It must, however, be re-sealed with RTV, high temperature silicone, when replaced.



FIRST FIRE

When your installation is completed and inspected you are ready for your first fire.

- 1) Open draft control fully. To the left is open, to the right is closed.
- 2) Open firebox door and build a small fire using paper and dry kindling. Secure door on the firebox and wait a few minutes for a good updraft in the flue to establish the fire. Leaving the door slightly open will help your fire start more rapidly and keep glass clean. Add more kindling; then 2 x 2 or 2 x 4 softwood to establish a hot coal bed before adding larger cordwood.

MAINTENANCE

CAUTION: Never leave unit unattended if door is left open. This procedure is for fire start-up only, as unit may overheat if door is left open for too long. The door is to be opened for a maximum of 5 minutes while loading or for ignition purposes only.

- 3) With the draft still in the fully open position add two or three seasoned logs to your fire. Form a trench in the ash bed to allow air to reach the rear of the firebox prior to closing the door.
- 4) **During the first few days it may be more difficult to start the fire. As you dry out your firebrick, your draft will increase.** Due to the large quantity of firebrick, which has a high water content, it may take many fires (20 or more) to thoroughly cure the firebrick. The firebrick will become lighter in colour as it dries out.
- 5) After about 15 to 20 minutes, when your wood has begun to burn strongly, adjust your draft control down to keep the fire at a moderate level.
WARNING: Never build a roaring fire in a cold stove. Always warm your stove up slowly!
- 6) Once a bed of coals has been established, you may adjust the draft control to a low setting to operate the unit at its most efficient mode.
- 7) For the first few days, the stove will give off an odour from the paint and oil burn off. This is to be expected as the high temperature paint becomes seasoned. Windows and/or doors should be left open to provide adequate ventilation while this temporary condition exists. Burning the stove at a very high temperature the first few times may damage the paint. Burn fires at a moderate level the first few days.
- 8) For those units installed at higher elevations drafting problems may occur. Consult an experienced dealer on methods of increasing your draft. Follow the Flue Height Chart (Table 1 page 12).
- 9) Some cracking and popping noises may be experienced during the heating up process. These noises will be minimal when your unit reaches temperature.
- 10) Before opening your door to reload, open draft fully for approximately 10 to 15 seconds until fire has been re-established. This will minimize any smoking.
- 11) All fuel burning appliances consume oxygen during operation. It is important that you supply a source of fresh air to your unit while burning.

- 12) Green or wet wood is not recommended for your unit since most of the energy will be used to drive off the moisture instead of heating your home. As well, green or wet wood can result in dirty glass.
- 13) Always maintain clean glass. Clean glass means a clean flue; if you are experiencing dirty glass you may be operating a fire that is set too low. Ask your dealer for details.
- 14) Keep your spark arrester on the flue clean. It should be checked and maintained regularly, at least monthly.

SAFETY GUIDELINES

- 1) Never use gasoline, gasoline type lantern fuels, kerosene, charcoal lighter fuel or similar liquids to start or 'freshen up' a fire in your fireplace. Keep all such liquids well away from the unit while in use.
- 2) Keep the door closed during operation and maintain all seals in good condition.
- 3) Do not burn large quantities of paper in your fireplace.
- 4) If you have smoke detectors, prevent smoke spillage as this may set off a false alarm.
- 5) Do not overfire fireplace. If overfiring takes place, stop adding fuel and close the draft control. Overfiring can cause extensive damage to your unit including warpage and premature steel corrosion. **Overfiring will void your warranty.**
- 6) Do not permit creosote or soot build-up in the chimney system. Check and clean chimney at regular intervals.
- 7) The fireplace face can be very hot. You may be seriously burned if you touch the unit while in operation. Warn children of the burn hazard.
- 8) Do not connect this unit to a chimney flue serving another appliance.
- 9) Do not use grates or andirons or other methods for supporting fuel. Burn directly on the bricks.
- 10) When refuelling the fire turn off blowers, open draft prior to slowly opening the door. Failure to do so could result in smoke spillage.
- 11) Your unit should burn dry, standard firewood only. The use of "mill ends" is discouraged as this fuel can easily overheat your fireplace. Evidence of excessive overheating will void your warranty.

As well, a large portion of sawmill waste is chemically treated lumber, which is illegal to

burn in many areas. Salt drift wood, chemically treated fire logs and pressure treated woods must not be burned in your woodstoves.

- 12) Do not store any fuel closer than 2 feet from your unit.
- 13) **IMPORTANT:** Do not obstruct the convection louvers at any time. Blocking air into this area will cause excessively high firebox temperatures and a potentially dangerous situation.

MAINTENANCE

Gold Plated Doors and Louvers

The optional gold electroplated finish on the doors and louvers requires little maintenance and needs only to be cleaned with a damp cloth. **DO NOT** use abrasive materials or chemical cleaners, as they may harm the finish and void the warranty. Keep doors and louvers off during construction to avoid damage.

Door Gasket

If the door gasket requires replacement, your must use 7/8 in. dia. oval, high density material, 6-1/2 ft. long. A proper high temperature gasket adhesive is required. Contact your dealer for the Regency Gasket Repair Kit, Part # 846-570.

Door Hinges

Grease door hinges with high temperature grease regularly for smooth operation and to avoid squeaks.

Glass Cleaning

Only clean your glass window when it is cool. Your local retailer can supply you with a recommended glass cleaner if plain water and a soft cloth does not remove all deposits. Do not use oven cleaner on the glass as it will etch the glass.

Glass Removal/Replacement

Allow the stove to cool before removing or replacing glass. Remove the door from the insert and remove the glass retainer. Use caution when removing broken glass to avoid injury. When placing the replacement glass in the door, make sure that the glass gasketing will properly seal your unit. Replace the retainer and tighten securely, but do not wrench down on the glass as this may cause breakage. Do not substitute materials. If your glass door breaks, do not use your unit until it has been replaced. See Diagram on page 19.

PARTS LIST- FIREBOX & BODY

Part #	Description	Part #	Description
20)	948-102 Spring Handle - Small	000-912	Fan Assembly with switches (Optional)
21)	000-198 Hearth Extension Connector	85)	910-157/P Blower/Fan Motor (120 V)
22)	* Shell Inner Sides & Back	86)	* Fan Base
23)	* Insulation - Right	87)	910-138 Switch - Auto/Manual On/Off (2-way)
24)	* Insulation - Rear	88)	910-140 Fan HI/OFF/LOW Switch
25)	* Insulation - Rear - 6" wide		
26)	* Insulation - Left	90)	000-924 7" - 8" Flue Adaptor (Optional)
27)	* Insulation - Top	91)	948-300 Insulated Outside Air Duct
28)	000-058 Cover Duct Inner		948-216 Regency Logo
29)	* Shell Inner Top		908-200 Manual

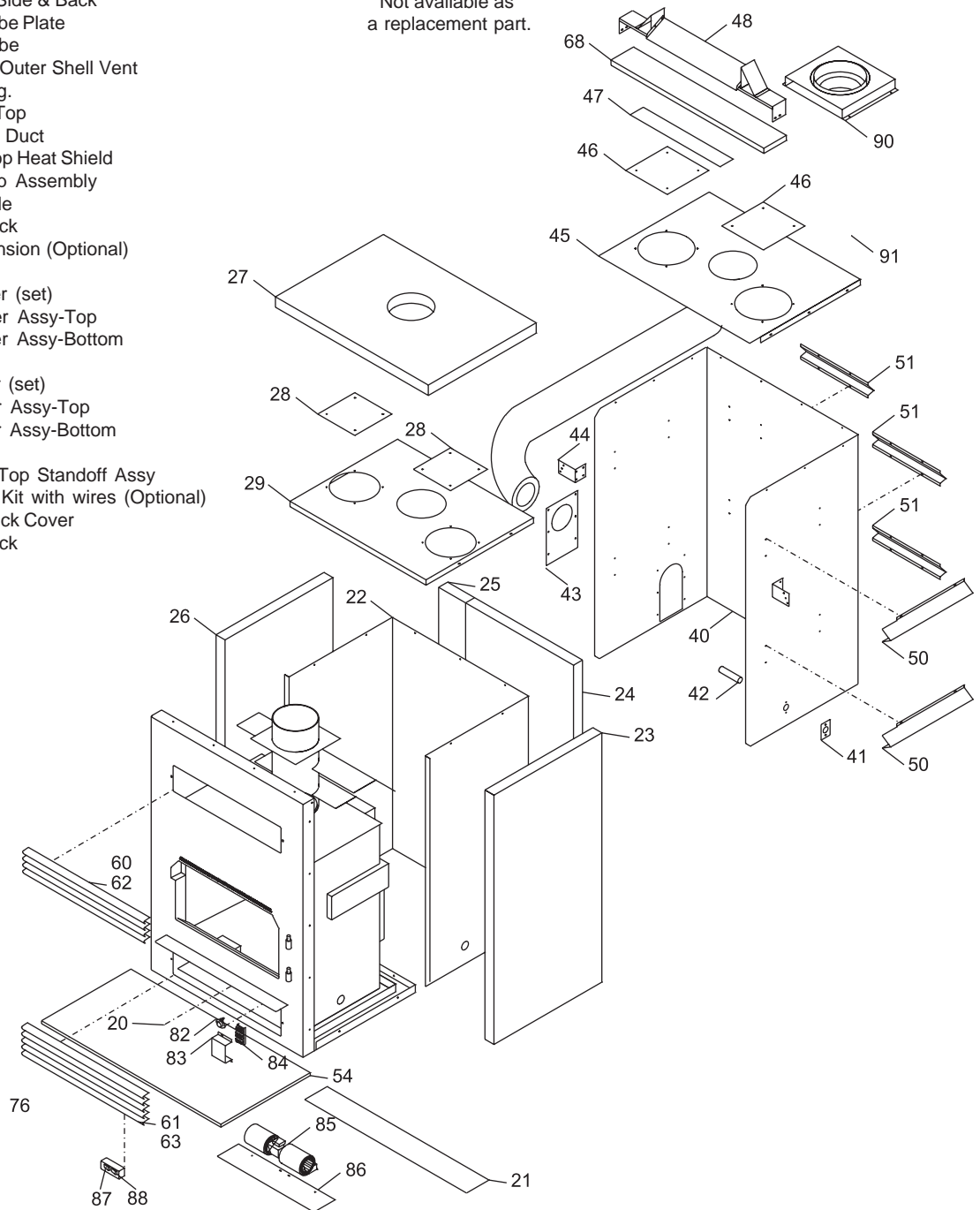
40)	* Shell Outer Side & Back
41)	* Electrical Tube Plate
42)	000-207/16 Electrical Tube
43)	000-205 Cover Plate Outer Shell Vent
44)	000-929 Wall Grip Pkg.
45)	* Shell Outer Top
46)	000-059 Cover Outer Duct
47)	836-174 Insulation Top Heat Shield
48)	000-532 Standoff Top Assembly
50)	000-127 Standoff Side
51)	820-100 Standoff Back
54)	000-910 Hearth Extension (Optional)

000-914	Black Louver (set)
60)	* Black Louver Assy-Top
61)	* Black Louver Assy-Bottom

000-916	Gold Louver (set)
62)	* Gold Louver Assy-Top
63)	* Gold Louver Assy-Bottom

68)	836-175 Insulation - Top Standoff Assy
82)	000-927 Thermodisc Kit with wires (Optional)
83)	000-201 Terminal Block Cover
84)	910-184 Terminal Block

* Not available as a replacement part.

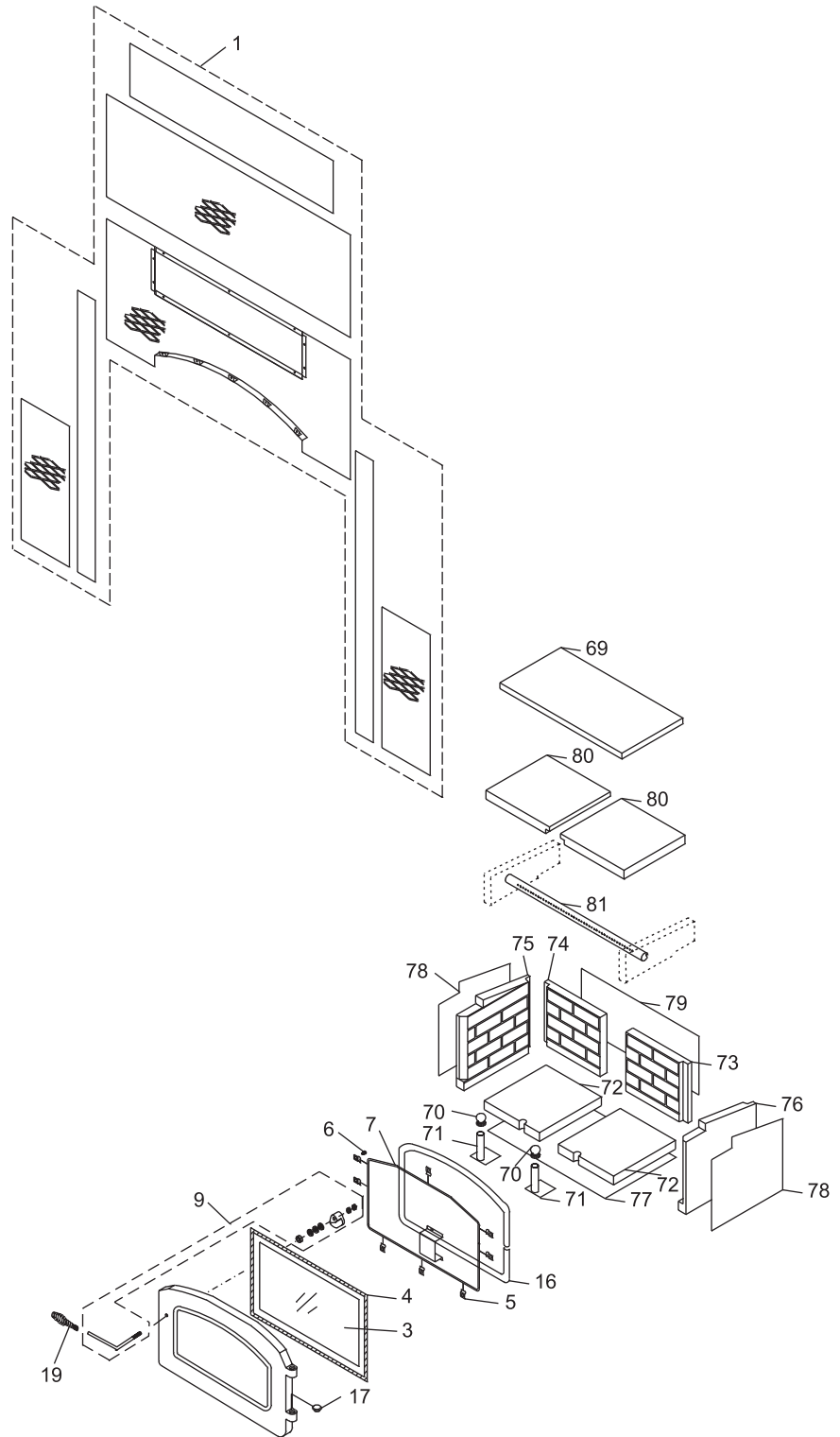


PARTS LIST

PARTS LIST- BAFFLES, DOOR, OPTIONS

Part #	Description
1)	000-920 Masonry Retainer Kit (Optional)
	846-911 Door Assembly- Gold
	846-917 Door Assembly- Black
3)	846-300 Glass - Replacement
4)	936-243 7/8" Adhesive Tape
5)	846-920 Glass Retainer Clips (set of 8)
6)	* Screw 1/4-20 x 3/8"
7)	948-174/P Glass Retainer
9)	846-973 Door Handle Assembly
16)	846-570 Med. Density Door Gasket Kit
17)	846-918 Hinge Caps (2/set)
19)	948-101 Spring Handle - Large
69)	836-171 Baffle Insulation
70)	* Globe
71)	* Retainer Post
72)	902-108 Brick - Bottom
73)	902-107 Brick - Back Right
74)	902-106 Brick - Back Left
75)	902-112 Brick - Side Left
76)	902-113 Brick - Side Right
77)	836-132 Insulation - Bottom Brick
78)	836-133 Insulation - Side Brick
79)	836-131 Insulation - Back Brick
80)	000-955 Brick - Baffle (2/Set)
81)	000-954 Air Tube (each)
	000-930 Gravity Air Kit (Optional)
	000-918 One Way Damper (Optional)

* Not available as a replacement part.





Regency Fireplace Products are designed with reliability and simplicity in mind. In addition, our internal Quality Assurance Team carefully inspects each unit thoroughly before it leaves our door. Regency Industries Ltd. is pleased to extend this limited lifetime warranty to the original purchaser of a Regency Product. This warranty is not transferable.

The Warranty: Lifetime

Covered under the agreement are the following components:

Firebox, ceramic baffle, vermiculite baffle, convector airmate, castings, ashdrawer, glass (thermal breakage) gold plating (against defective manufacture), airtubes (against warpage) and door handles.

Special Finishes - One year on brushed nickel, louvers and doors. You can expect some changes in color as the product "ages" with constant heating and cooling. FPI warranties the product for any manufacturing defects on the original product. However, the manufacturers warranty does not cover changing colors and marks, ie. finger prints, etc applied after the purchase of the product. Damage from the use of abrasive cleaners is not covered by warranty.

The above will be covered for parts and subsidized labour for the first five years and parts only thereafter with the exception of the fireboxes (see below).

FPI is not liable for freight or labor on any wood burning appliance replaced in field.

Electrical components such as blowers, switches and thermodisc's are covered for one year from the date of purchase.

Conditions:

Any part or parts of this unit which in our judgement show evidence of such defects will be repaired or replaced at Regency's option, through an accredited distributor or agent provided that the defective part be returned to the distributor or agent **Transportation Prepaid**, if requested.

It is the general practice of FPI to charge for larger, higher priced replacement parts and issue credit once the replaced component has been returned to FPI and evaluated for manufacturer defect.

The authorized selling dealer is responsible for all in-field service work carried out on your Regency product. FPI will not be liable for results or costs of workmanship from unauthorized service persons or dealers.

At all times FPI reserves the right to inspect product in the field which is claimed to be defective.

All claims must be submitted to FPI by authorized selling dealers. It is essential that all submitted claims provide all of the necessary information including customer name, purchase date, serial #, type of unit, problem, and part or parts requested, without this information the warranty will be invalid.

Exclusions:

This limited Lifetime Warranty does not extend to or include paint, door or glass gasketing, firebrick or trim. It does not cover installation and operational related problems such as over-firing, use of corrosive driftwood, downdrafts or spillage caused by environmental conditions, nearby trees, buildings, hilltops, mountains, inadequate venting or ventilation, excessive offsets, negative air pressures caused by mechanical systems such as furnaces, fans, clothes dryers etc.

At no time will FPI be liable for any consequential damages which exceed the purchase price of the unit. FPI has no obligation to enhance or modify any unit once manufactured. ie. as products evolve, field modifications or upgrades will not be performed.

FPI will not be liable for travel costs for service work.

Installation and environmental problems are not the responsibility of the manufacturer and therefore are not covered under the terms of this warranty policy.

Any unit which shows signs of neglect or misuse is not covered under the terms of this warranty policy.

The warranty will not extend to any part which has been tampered with or altered in any way, or in our judgment has been subject to misuse.

Freight damage to stoves and replacement parts is not covered by warranty and is subject to a claim against the freight carrier by the dealer.

FPI will not be liable for acts of God, or acts of terrorism, which cause malfunction of the appliance.

Performance problems due to operator error will not be covered by this warranty policy.

Products made or provided by other manufacturers and used in conjunction with the operation of this appliance without prior authorization from Regency, may nullify your warranty on this product.

** Subsidy according to job scale as predetermined by FPI.*



Regency fireplace products are designed with reliability and simplicity in mind. In addition, our internal Quality Assurance Team carefully inspects each unit thoroughly before it leaves our door.

Fireplace Products International Ltd. is pleased to extend this Limited Lifetime Warranty to the original purchaser of a Regency Product.

See the inside back cover for details.

Register your Regency online at
<http://www.regency-fire.com>

Installer: Please complete the following information

Dealer Name & Address: _____

Installer: _____

Phone #: _____

Date Installed: _____

Serial No.: _____